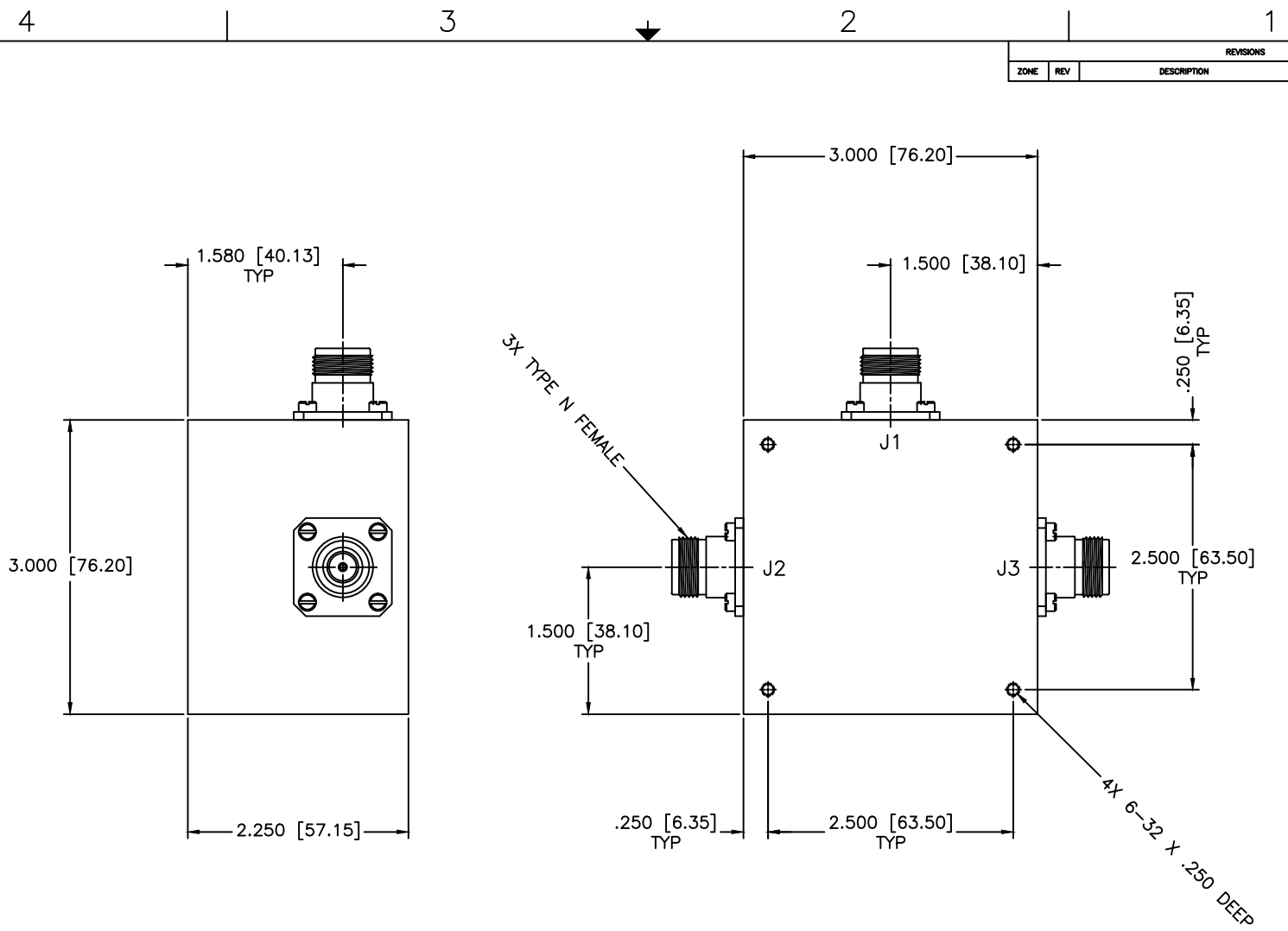


REVISIONS				
ZONE	REV	DESCRIPTION	DATE	APPROVED



**SPECIFICATIONS**

Frequency Range: 30–88 MHz  
 Insertion Loss: 0.20dB Max.  
 Isolation: 20dB Min.  
 VSWR: 1.30:1 Max.  
 Power: 300 W CW  
 Amplitude Balance:  $\pm 0.3$ dB Max.  
 Phase Balance:  $\pm 5$  Deg. Max.

MATERIAL:				MICROWAVE COMMUNICATIONS LABORATORIES INC. 7255 30TH AVE. N. SAINT PETERSBURG, FL 33710 TEL: (727) 544-6254 FAX: (727) 381-0110 http://www.mcli.com		SCALE: N/A SHEET: N/A	
UNLESS OTHERWISE SPECIFIED: TOLERANCES IN (INCHES) OR (mm) (MILLIMETERS) FRACTIONS: $\pm 1/64$ DECIMALS: $\pm 0.01 \pm 0.005$ ANGLE: $\pm 1/2^\circ$		DRAWING TITLE: <b>2-WAY POWER DIVIDER/COMBINER</b>		PART NO.: <b>PLH2-31-300</b>			
DRAWN: Paboon Luakhomhan DATE: 01-31-2011		APPROVED: T. Nguyen DATE: 01-31-2011		CAGE CODE: OD2L5		SIZE: N/A REV: N/A DO NOT SCALE THE DRAWING	
THE INFORMATION ON THIS DRAWING IS PROPRIETARY AND SHALL NOT BE REPRODUCED OR TRANSMITTED IN ANY FORM OR BY ANY MEANS, ELECTRONIC OR MECHANICAL, INCLUDING PHOTOCOPYING, RECORDING, OR BY ANY INFORMATION STORAGE AND RETRIEVAL SYSTEM, WITHOUT THE WRITTEN PERMISSION OF MICROWAVE COMMUNICATIONS LABORATORIES INC. (MCLI).				DWG NO.: 85269			