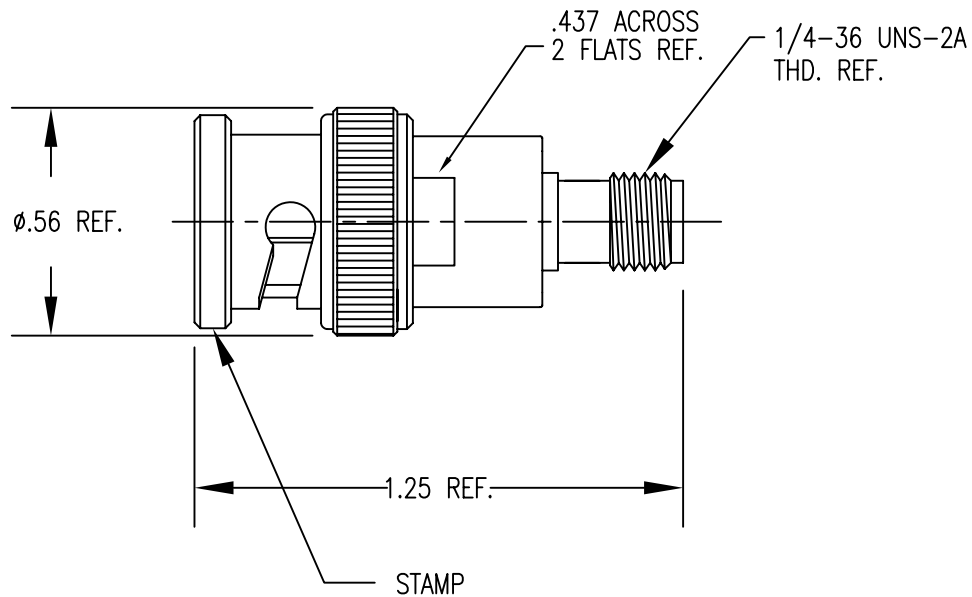


- 1.0 PERFORMANCE
 1.1 FREQUENCY RANGE: DC-4GHz
 1.2 VOLTAGE RATING: 500V RMS (sea level)
 1.3 NOMINAL IMPEDANCE: 50 OHMS
 1.4 DWV: 1500 V RMS @ 60 Hz (sea level)
 1.5 TEMPERATURE RANGE: -65°C TO +165°C
 2.0 MATERIALS
 2.1 DIELECTRIC: TEFLON, ASTM-D-1710

- 2.2 CONTACT: BRASS PER ASTM-B-16
 2.3 GASKETS: SILICON RUBBER, ZZ-R-765, GR. 50, RED
 2.4 SPRINGWASHERS: BERYLLIUM COPPER PER ASTM-B-194
 2.5 ALL OTHER METAL PARTS: BRASS PER ASTM-B-16
 3.0. FINISHES
 3.1 CONTACT: SILVER PLATED
 3.2 ALL OTHER METAL PARTS: NICKEL PLATED
 4.0 MECHANICAL
 4.1 INTERFACES PER MIL-STD-348

DWG NO. OL-0910-14-1	REV. A
-------------------------	-----------



Rev.	Revisions	Disp.	Date	Dwn.	Appd.
A	ORIGINAL	NEW	02/03/03	XXX	XXX
RECOM. STOCK SIZE	FT/M PCS	REMOVE ALL BURRS AND SHARP EDGES .005 MAX.	INTERPRET PER ANSI Y14.5M-1982		

THIS DRAWING CONTAINS CONFIDENTIAL INFORMATION PROPRIETARY TO SAN-TRON INC. IT MUST NOT BE REPRODUCED OR DISCLOSED TO OTHERS OR USED IN ANY OTHER WAY, IN WHOLE OR PART EXCEPT AS AUTHORIZED IN WRITING BY SAN-TRON INCORPORATED.

UNLESS OTHERWISE SPECIFIED:
 ALL DIMENSIONS ARE IN INCHES.
 ALL DIMENSIONS ARE AFTER PLATING.
 ALL MACHINED SURFACES $\sqrt{63}$ /MAX.
 .XXX = ±.005 .XX = ±.01 FRACTIONAL = ±1/64
 ©.002 MAX. TIR ANG. ± 1/2° ⊥ AXIS .001

THIRD ANGLE PROJECTION

DWN	LAP	02/03/03
CHKD	SJS	02/03/03
APPR	FSH	02/03/03

SAN-TRON, INC.
 4 NEWBURYPORT TPK. IPSWICH MA USA 01938
 TEL: 978 - 356 -1585 FAX: 978 - 356 -1573
 WWW.SANTRON.COM E MAIL: SANTRON@SANTRON.COM

San-Tron

TITLE: ADAPTER, STRAIGHT, BNC (M) TO SMA (F)

MATERIAL: SEE NOTE 2.0 FINISH: SEE NOTE 3.0

CAGE CODE: 50896 DWG NO. OL-0910-14-1 REV. A

SCALE 2 : 1