

# MECHANICAL SPECIFICATIONS

## MATERIALS (ALL PER MIL-PRF-39012 & MIL-DTL-39030)

- INNER CONDUCTOR: BERYLLIUM COPPER PER ASTM B196 & B197.
- OUTER CONDUCTOR: STAINLESS STEEL, CORROSION RESISTANT PER ASTM A484 & A582, CLASS 303, COND. A.
- DIELECTRIC: TEFLON PER ASTM D1710.

## FINISH (ALL PER MIL-PRF-39012 & MIL-DTL-39030)

- INNER CONDUCTOR: GOLD PLATED PER MIL-PRF-39012.
- HOUSING/COUPLING NUT FINISH PER SUFFIX (REPLACING -0X IN MODEL #)
  - 00 OUTER CONDUCTOR / NUT BOTH GOLD PLATED
  - 02\* OUTER CONDUCTOR / NUT BOTH PASSIVATED SS
  - 01 OUTER CONDUCTOR GOLD PLATED BUT NUT PASSIVATED SS
  - 0X-C APPENDING "-C" ADDS CHAIN ASSEMBLY, 2" - 2.5" LONG AVAILABLE ON 2001 AND 2003 SERIES

\* Exception for the 200X-6151-02, Outer is Gold Plated and Nut is Passivated

FOR UNMARKED UNITS OR FOR CUSTOM MARKING CONTACT FACTORY FOR PART NUMBER / SUFFIX TO APPEND TO MODEL NUMBER

**MEETS ALL ENVIRONMENTAL REQUIREMENTS IN MIL-DTL-39030/3**

## ELECTRICAL SPECIFICATIONS

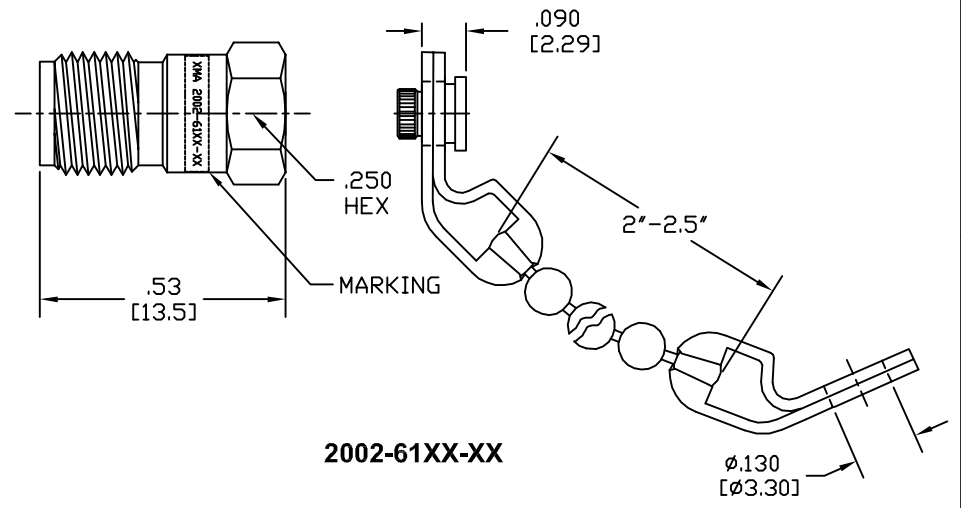
Frequency Range	DC - 27 GHz (See Chart, Sht. 2)
VSWR:	SEE SHEET TWO
IMPEDANCE:	50 OHMS
TEMPERATURE RANGE (°C)	-65 TO +125 OPERATING +150° STORAGE
POWER (AVG)	1 WATT**
POWER (PEAK) (<5 m SEC PW, <1% DUTY CYCLE)	500 WATTS

\*\*POWER DERATES LINEARLY FROM +45°C TO <10 % @+125°C

**PRODUCTION RELEASE**

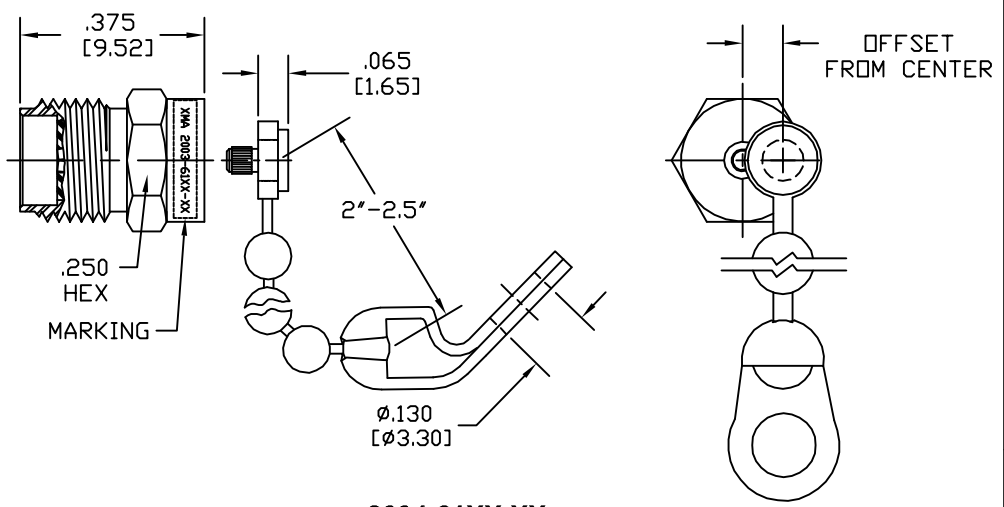
NOTE:  
THIS DRAWING INCORPORATES THIRD ANGLE PROJECTION.  
INTERPRET IAW ANSI Y14.5-1995

REVISIONS		
REV	DESCRIPTION	APPROVED
-	REVISED TO NEW LAYOUT & UPDATED FORMAT	05/24/2011 D.S.S



**2002-61XX-XX**

### INTERFACES MATE / COMPLY WITH MIL-STD-348 FOR SMA



**2004-61XX-XX**

**AVAILABLE WITH NUT WIRELOCK HOLES, CONTACT FACTORY**



DRAWING PRACTICES PER ANSI Y14.5-1995 MIL-STD-100 & 1000		UNLESS OTHERWISE SPECIFIED TOLERANCES IN:		DATE	
DIMENSIONS ARE IN INCHES AND APPLY BEFORE/ AFTER PROCESSING		DECIMALS	INCH	MM	DRAWN T. MAIN 05/16/2011
SURFACE FINISH		.XX	.05	[1.3]	CHECKED D. SAUNDERS 05/24/2011
FINISH		.XXX	.030	[.76]	DATE D. SAUNDERS 05/24/2011
SEE NOTES		.XXXX	.015	[.39]	DATE
MATERIAL		.XXXXX	.0005	[.013]	DATE
SEE NOTES		ANGLES ±		TITLE	
		UNLESS OTHERWISE NOTED DIAS CONCENTRIC <.003 T.I.R.		1 WATT SMA TERMINATION DC TO 27 GHz	

WWW.XMACORP.COM Sales@XMACORP.COM

SIZE C	CAGE CODE 3HT76	DWG NO. 2002-61XX-XX
SCALE 5:1	PLATE OFF EQ. OFF. RCHFC	SHEET 1 OF 2

REVISIONS		
REV	DESCRIPTION	APPROVED
-	REVISED TO NEW LAYOUT & UPDATED FORMAT	05/24/2011 D.S.S

FREQUENCY (GHz)	AVERAGE POWER (WATTS)	VSWR DC - 4 (GHz)	VSWR 4 - 12.4 (GHz)	VSWR 12.4 - 18 (GHz)	VSWR 18 - 26.5 (GHz)	PART NUMBER
DC - 4.0	1.0	DC-2 1.10:1	-	-	-	2002-6500-0X
		2-4 1.15:1	-	-	-	-
DC - 12.4	1.0	1.05:1	1.05:1	-	-	2002-6116-0X
		1.05:1	1.05:1	-	-	2004-6116-0X
DC - 18.0	1.0	1.05:1	1.15:1	1.20:1	-	2002-6101-0X
		1.05:1	1.05:1	1.05:1	-	2002-6118-0X
		1.05:1	1.05:1	1.10:1	-	2002-6117-0X
		1.10:1	1.10:1	1.10:1	-	2002-6111-0X
		1.05:1	1.15:1	1.20:1	-	2002-6112-0X
		1.10:1	1.20:1	1.30:1	-	2002-6113-0X
		1.10:1	1.20:1	1.30:1	-	2002-6114-0X
		1.05:1	1.05:1	1.10:1	-	2004-6117-0X
		1.10:1	1.10:1	1.10:1	-	2004-6111-0X
		1.05:1	1.15:1	1.20:1	-	2004-6112-0X
		1.10:1	1.20:1	1.30:1	-	2004-6113-0X
		1.10:1	1.20:1	1.30:1	-	2004-6115-0X
DC - 26.5	1.0	1.05:1	1.10:1	1.20:1	1.30:1	2002-6110-0X
		1.05:1	1.10:1	1.20:1	1.30:1	2004-6110-0X
		1.05:1 + .007f (GHz) 1.05 @ DC to 1.24 @ 26.5 GHz				


 Powered by: 

XMA Corp. 150 Dow St. Manchester, NH 03045 (603) 222-2256 fax 222-2259

**TITLE**  
 1 WATT SMA TERMINATION  
 DC TO 27 GHz

SIZE C	CAGE CODE 3HT76	DWG NO. 2002-61XX-XX
SCALE 5 : 1	PLATE OFF EQ. REF. BENCH	XXX SHEET 2 OF 2