



Precision N Female to TNC Female Adapter

TECHNICAL DATA SHEET

PE9449

**Precision N Female to TNC Female Adapter**

**Configuration**

Connector 1	N Female
Impedance 1	50 Ohms
Connector 2	TNC Female
Impedance 2	50 Ohms
Adapter Design	Precision
Body Style	Straight

**Electrical Specifications**

Frequency Range, GHz	DC to 18
Maximum VSWR	1.15:1

**Mechanical Specifications**

**Size**

Length, in [mm]	1.821 [46.25]
Width/Dia., in [mm]	0.625 [15.88]

**Connector 1**

Type	N Female
------	----------

**Connector 2**

Type	TNC Female
------	------------

**Compliance Certifications** (visit [www.Pasternack.com](http://www.Pasternack.com) for current document)

RoHS Compliant	Yes
----------------	-----

**Plotted and Other Data**

Notes:	Values at 25 °C, sea level
--------	----------------------------

URL: <http://www.pasternack.com/n-female-tnc-female-straight-adapter-pe9449-p.aspx>

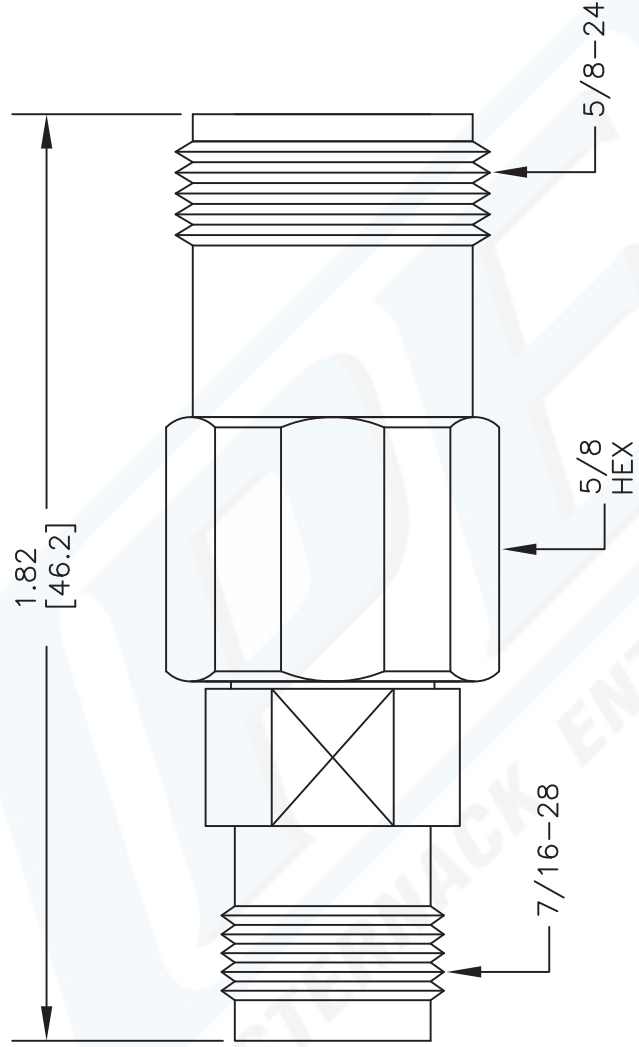
Precision N Female to TNC Female Adapter from Pasternack Enterprises has same day shipment for domestic and International orders. Our RF, microwave and fiber optic products maintain a 99% availability and are part of the broadest selection in the industry.

The information contained in this document is accurate to the best of our knowledge and representative of the part described herein. It may be necessary to make modifications to the part and/or the documentation of the part, in order to implement improvements. Pasternack reserves the right to make such changes as required. Unless otherwise stated, all specifications are nominal.



# PE9449 CAD Drawing

## Precision N Female to TNC Female Adapter



**NOTES:**  
 1. UNLESS OTHERWISE SPECIFIED ALL DIMENSIONS ARE NOMINAL.  
 2. ALL SPECIFICATIONS ARE SUBJECT TO CHANGE WITHOUT NOTICE AT ANY TIME.  
 3. DIMENSIONS ARE IN INCHES [mm].

DWG TITLE  
**PE9449**

FSCM NO. 53919

2233

SIZE A

SCALE N/A

CAD FILE 101702

**PE PASTERNAK®**  
 Pasternack Enterprises, Inc.  
 P.O. Box 16759 | Irvine | CA | 92623  
**Phone:** (949) 261-1920 | **Fax:** (949) 261-7451  
**Website:** www.pasternack.com | **E-Mail:** sales@pasternack.com