



FAKRA Plug Connector Crimp/Solder Attachment
For PE-C100, RG174, RG316, Black Color

TECHNICAL DATA SHEET

PE44647A

FAKRA Plug Connector Crimp/Solder Attachment For PE-C100, RG174, RG316, Black Color

Configuration

Connector	FAKRA Plug
Connector Interface Type	PE-C100, RG174, RG316
Cable Attachment Method (Shield/Contact)	Crimp/Solder
Body Style	Straight

Electrical Specifications

Frequency Range, GHz	DC to 4
Impedance, Ohms	50
Maximum VSWR	1.3:1
Dielectric Withstanding Voltage, Vrms	800

Mechanical Specifications

Temperature

Operating Range, deg C	-40 to +85
------------------------	------------

Size

Length, in [mm]	0.89 [22.61]
Width/Dia., in [mm]	0.37 [9.40]
Height, in [mm]	0.433 [11]
Weight, lbs [g]	0.008 [3.63]
Color	Black

Connector

Type	FAKRA Plug
Contact Material and Plating	Phosphor Bronze, Gold
Outer Conductor Material and Plating	Brass, Nickel
Body Material and Plating	Plastic, Paint
Dielectric Type	Teflon

Compliance Certifications (visit www.Pasternack.com for current document)

RoHS Compliant	Yes
----------------	-----

Click the following link (or enter part number in "SEARCH" on website) to obtain additional part information including price, inventory and certifications: [FAKRA Plug Connector Crimp/Solder Attachment For PE-C100, RG174, RG316, Black Color PE44647A](#)

The information contained in this document is accurate to the best of our knowledge and representative of the part described herein. It may be necessary to make modifications to the part and/or the documentation of the part, in order to implement improvements. Pasternack reserves the right to make such changes as required. Unless otherwise stated, all specifications are nominal.





FAKRA Plug Connector Crimp/Solder Attachment
For PE-C100, RG174, RG316, Black Color

TECHNICAL DATA SHEET

PE44647A

Plotted and Other Data

Notes:

Values at 25 °C, sea level

FAKRA Plug Connector Crimp/Solder Attachment For PE-C100, RG174, RG316, Black Color from Pasternack Enterprises has same day shipment for domestic and International orders. Our RF, microwave and fiber optic products maintain a 99% availability and are part of the broadest selection in the industry.

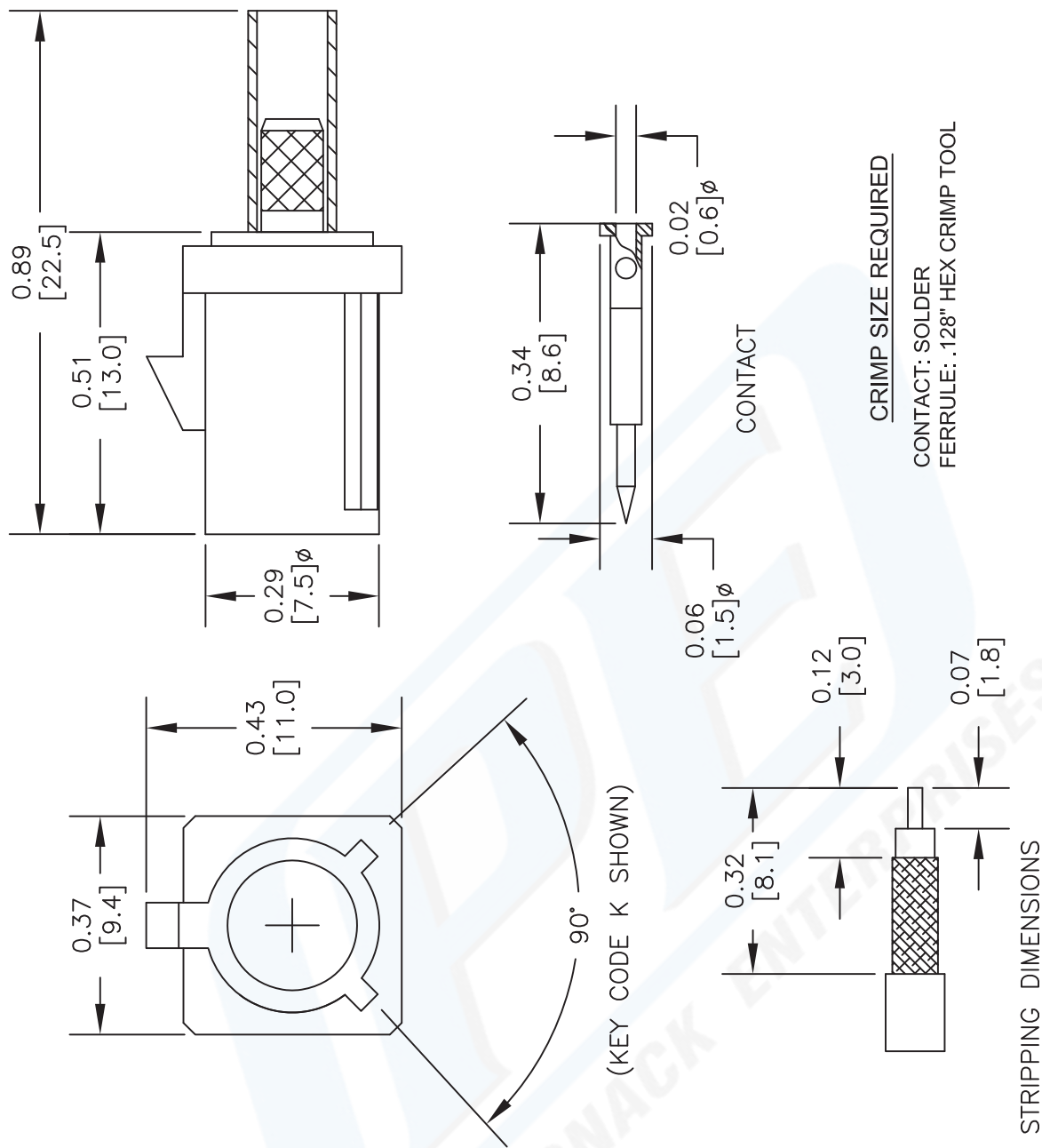
Click the following link (or enter part number in "SEARCH" on website) to obtain additional part information including price, inventory and certifications: [FAKRA Plug Connector Crimp/Solder Attachment For PE-C100, RG174, RG316, Black Color PE44647A](http://www.pasternack.com/fakra-plug-standard-pe-c100-rg174-rg316-connector-pe44647a-p.aspx)

URL: <http://www.pasternack.com/fakra-plug-standard-pe-c100-rg174-rg316-connector-pe44647a-p.aspx>

The information contained in this document is accurate to the best of our knowledge and representative of the part described herein. It may be necessary to make modifications to the part and/or the documentation of the part, in order to implement improvements. Pasternack reserves the right to make such changes as required. Unless otherwise stated, all specifications are nominal.

PE44647A CAD Drawing

FAKRA Plug Connector Crimp/Solder Attachment For
PE-C100, RG174, RG316, Black Color



- NOTES:**
1. UNLESS OTHERWISE SPECIFIED ALL DIMENSIONS ARE NOMINAL.
 2. ALL SPECIFICATIONS ARE SUBJECT TO CHANGE WITHOUT NOTICE AT ANY TIME.
 3. DIMENSIONS ARE IN INCHES [mm].
 4. FITS MIL-C-17 AND EQUIVALENT CABLES.

Part Configurator		
1. Replace Y with code.		
CODING	JACK	APPLICATION
A		RADIO WITH PHANTOM SUPPLY
B		RADIO WITHOUT PHANTOM SUPPLY
C		GPS: TELEMATICS OR NAVIGATION
D		GSM: CELLULAR PHONE
H		GPS: TELEMATICS AND NAVIGATION
I		BLUETOOTH
K		RADIO WITH IF OUTPUT (ANTENNA DIVERSITY)
Z		NEUTRAL CODING

DWG TITLE
PE44647Y

FSCM NO. 53919

CAD FILE 061109

SCALE N/A

SIZE A

XXXX

PE PASTERNAK®
Pasternack Enterprises, Inc.
P.O. Box 16759 | Irvine | CA | 92623
Phone: (949) 261-1920 | Fax: (949) 261-7451
Website: www.pasternack.com | E-Mail: sales@pasternack.com