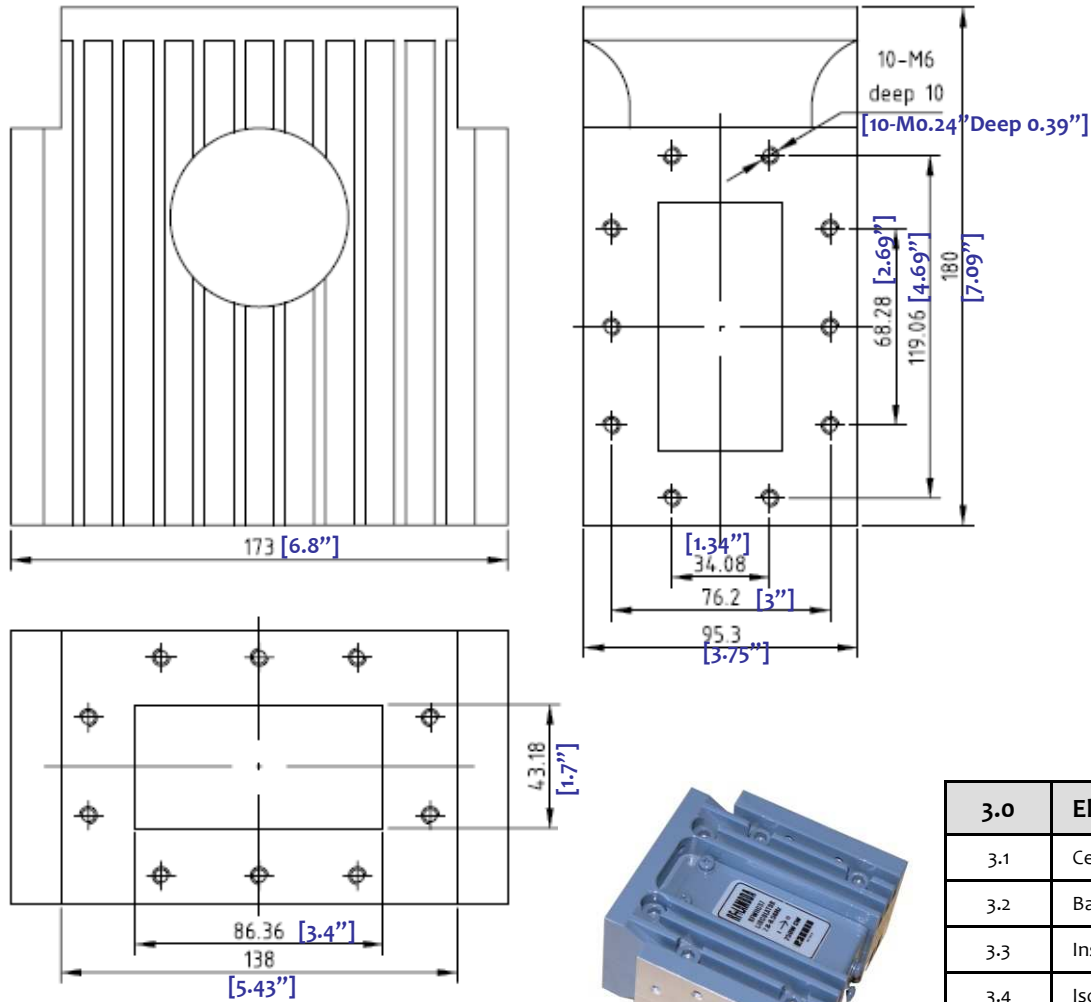



HIGH POWER WAVEGUIDE CIRCULATOR- RFWC340A



1.0 Mechanical Specifications		
1.1	Waveguide type	Rectangular Waveguide WR340
1.2	Flange type	CPRG, CPRF, COVER, CHOKE available
1.3	Flange Holes	Through
1.4	External Body Finish	Body painted with gray/black epoxy enamel

2.0 Environment specifications		
2.1	Operation Temp.	-40°C~+85°C
2.2	Storage Temp.	-45°C~+125°C
2.3	Altitude	45000 ft
2.4	Vibration	10g rms (15 degree 2KHz)
2.5	Humidity	100% RH at 35c, 95%RH at 40 deg c
2.6	Shock	20G for 11msc

3.0 Electrical Specifications		
3.1	Center Frequency	2.20GHz~3.30GHz
3.2	Bandwidth	200MHz
3.3	Insertion Loss	0.3dB
3.4	Isolation	20dB
3.5	Power	2000W (CW)
3.6	VSWR	1.20 : 1

PAGE 1 OF 1		DATE Jun 15 th 2006
<small>PROPRIETARY INFORMATION THE INFORMATION CONTAINED IN THIS DOCUMENT IS THE PROPERTY OF RF-LAMBDA EXCEPT AS SPECIFICALLY AUTHORIZED IN WRITING BY RF-LAMBDA. THE HOLDER OF THIS DOCUMENT SHALL KEEP ALL INFORMATION CONTAINED HEREIN CONFIDENTIAL AND SHALL PROTECT SAME IN THE WHOLE OR IN PART FROM DISCLOSURE AND DISSEMINATION OF ALL THIRD PARTIES AND SHALL USE SAME FOR OPERATING AND MAINTENANCE PURPOSES ONLY</small>		DESIGN RFCPC
		RF-LAMBDA RFLVR17
 RFWC340A HIGHPOWER WAVEGUIDE CIRCULATOR		CAD MODEL REVISION 19
		ASSEMBLY REVISION VS52
		ASSEMBLY NAME RFLVR17
www.rflambda.com		DRAWING NUMBER D05-1
RF-LAMBDA	SIZE LT	SHEETS 1 OF 1