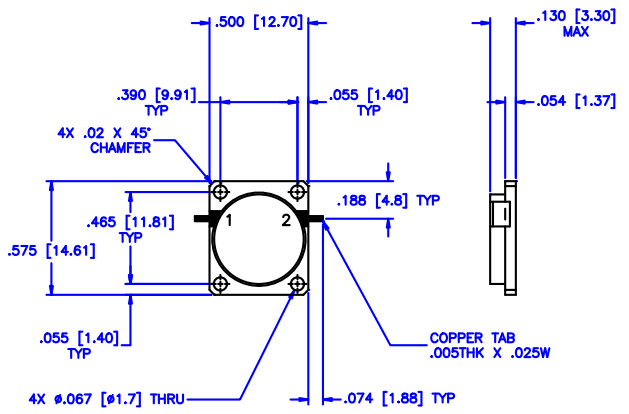


REVISIONS				
ZONE	REV	DESCRIPTION	DATE	APPROVED



SPECIFICATIONS

- Frequency Range: 5.0–6.5 GHz
- Insertion Loss: 0.5dB Max.
- Isolation: 20dB Min.
- VSWR: 1.22:1 Max.
- Impedance Nominal: 50 Ohms
- Power Rating: 2 Watts
- Operating Temperature: –45°C to +85°C
- Storage Temperature: –55°C to +100°C

MATERIAL:			MICROWAVE COMMUNICATIONS LABORATORIES INC. 7255 30TH AVE. N. SAINT PETERSBURG, FL 33710 TEL: (727) 344-6254 FAX: (727) 381-6116 http://WWW.MCLI.COM		SCALE:	N/A
			UNLESS OTHERWISE SPECIFIED: TOLERANCES IN (INCHES) OR [mm] (MILLIMETERS) FRACTIONS: ± 1/64 DECIMALS: ±.01 ±.005 ANGLE: ±1/2°	DRAWING TITLE:		DROP-IN ISOLATOR
DRAWN:		DATE:	PART NO.:		DI-12	
Paiboon Luekhamhan 01-05-2005		PROPRIETARY NOTICE: THE INFORMATION IN THIS DRAWING IS PROPRIETARY AND SHALL NOT BE USED OR DISCLOSED WITHOUT WRITTEN PERMISSION FROM MICROWAVE COMMUNICATIONS LABORATORIES INC. (MCLI)	CAGE CODE:		SIZE:	REV:
APPROVED: T. Nguyen 01-05-2005		THIRD ANGLE PROJECTION 	OD2L5		A	N/A
				DO NOT SCALE THE DRAWING		DWG NO.:
						82139