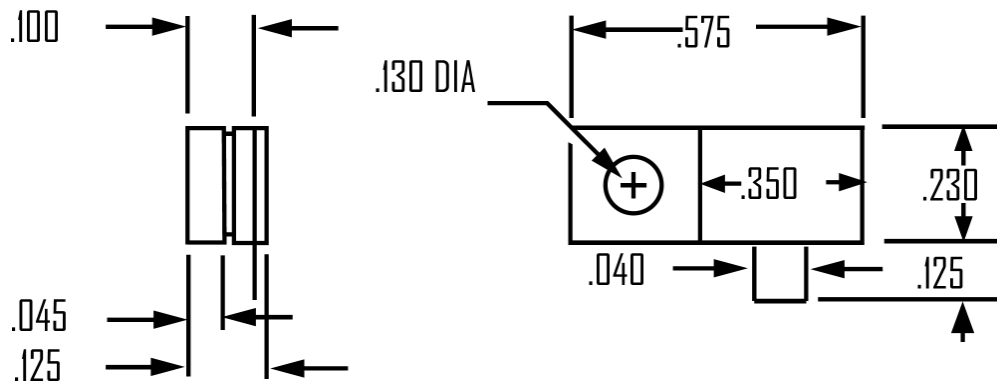


HIGH POWER TERMINATION

S3CR50050



Electrical Specifications		Material Specifications		General Specifications	
RFT P/N	S3CR50050	Substrate	BeO	Mechanical Tolerance	±.010"
Power (Watt)	50	Flange	Copper with Nickel Plating	Tolerance	±5%
Resistance (Ohm)	50	Tab	Nickel with Silver plating	Power Handling	50 W @ 100°C 0 W @ 180°C
Frequency (GHz)	4	Cover	Alumina	Construction	Lead free solder
VSWR	DC – 2 GHz: 1.25:1 2 – 4 GHz: 1.35:1	Resistive Element	Thick Film	RoHS Compliance	Yes with Electronic exemption

All dimensions are in inches. Minimum lead length is 0.125". Call for other values. 1% & 2% resistance tolerances available.