



RP SMA Female Connector Crimp/Solder Attachment For PE-B400, PE-B405, PE-C400, LMR-400, LMR-400-DB, LMR-400-UF

TECHNICAL DATA SHEET

PE44667

**RP SMA Female Connector Crimp/Solder Attachment For PE-B400, PE-B405, PE-C400, LMR-400, LMR-400-DB, LMR-400-UF**

**Configuration**

Connector	SMA Female Reverse Polarity
Connector Interface Type	PE-B400, PE-B405, PE-C400, LMR-400, LMR-400-DB, LMR-400-UF
Cable Attachment Method (Shield/Contact)	Crimp/Solder
Body Style	Straight

**Electrical Specifications**

Impedance, Ohms	50
-----------------	----

**Mechanical Specifications**

**Size**

Length, in [mm]	1.708 [43.38]
Width/Dia., in [mm]	0.71 [18.03]
Weight, lbs [g]	0.068 [30.84]

**Connector**

Type	SMA Female Reverse Polarity
Contact Material and Plating	Gold
Body Material and Plating	Brass, Gold
Dielectric Type	PTFE

**Compliance Certifications** (visit [www.Pasternack.com](http://www.Pasternack.com) for current document)

RoHS Compliant	Yes
----------------	-----

**Plotted and Other Data**

Notes:	Values at 25 °C, sea level
--------	----------------------------

RP SMA Female Connector Crimp/Solder Attachment For PE-B400, PE-B405, PE-C400, LMR-400, LMR-400-DB, LMR-400-UF from Pasternack Enterprises has same day shipment for domestic and International orders. Our RF, microwave and fiber optic products maintain a 99% availability and are part of the broadest selection in the industry.

Click the following link (or enter part number in "SEARCH" on website) to obtain additional part information including price, inventory and certifications: [RP SMA Female Connector Crimp/Solder Attachment For PE-B400, PE-B405, PE-C400, LMR-400, LMR-400-DB, LMR-400-UF PE44667](http://www.pasternack.com/sma-female-reverse-polarity-pe-c400-0.400-connector-pe44667-p.aspx)

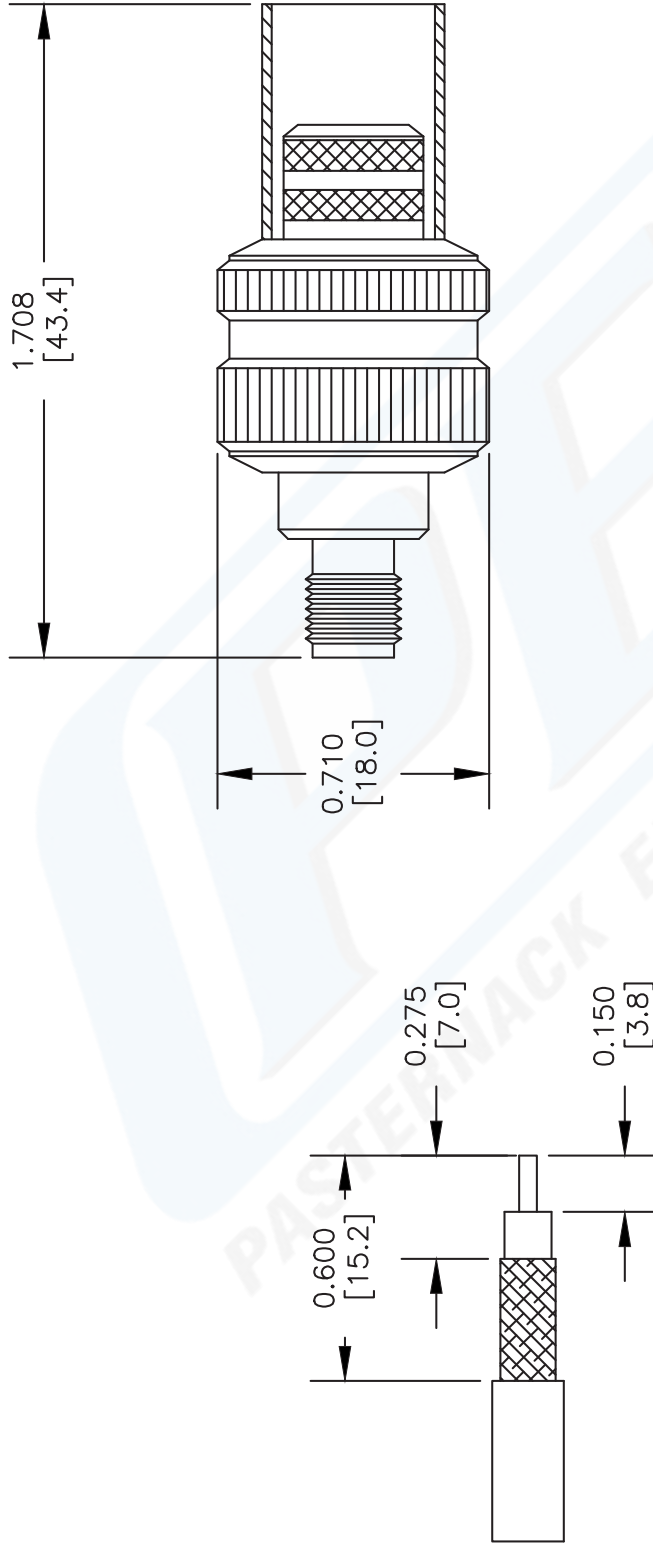
URL: <http://www.pasternack.com/sma-female-reverse-polarity-pe-c400-0.400-connector-pe44667-p.aspx>

The information contained in this document is accurate to the best of our knowledge and representative of the part described herein. It may be necessary to make modifications to the part and/or the documentation of the part, in order to implement improvements. Pasternack reserves the right to make such changes as required. Unless otherwise stated, all specifications are nominal.



# PE44667 CAD Drawing

RP SMA Female Connector Crimp/Solder Attachment For PE-B400,  
PE-B405, PE-C400, LMR-400, LMR-400-DB, LMR-400-UF



STRIPPING DIMENSIONS

CRIMP SIZE REQUIRED

CONTACT: SOLDER

FERRULE: .429" HEX CRIMP TOOL



**PASTERNAK**<sup>®</sup>  
Pasternack Enterprises, Inc.  
P.O. Box 16759 | Irvine | CA | 92623  
Phone: (949) 261-1920 | Fax: (949) 261-7451  
Website: [www.pasternack.com](http://www.pasternack.com) | E-Mail: [sales@pasternack.com](mailto:sales@pasternack.com)

DWG TITLE

**PE44667**

FSCM NO. 53919

NOTES:  
1. UNLESS OTHERWISE SPECIFIED ALL DIMENSIONS ARE NOMINAL.  
2. ALL SPECIFICATIONS ARE SUBJECT TO CHANGE WITHOUT NOTICE AT ANY TIME.  
3. DIMENSIONS ARE IN INCHES [mm].  
4. FITS MIL-C-17 AND EQUIVALENT CABLES.

CAD FILE 102009

SCALE N/A

SIZE A

XXXX