

BROADBAND COAXIAL ISOLATOR

P/N:TGG301E-1G



FEATURES AND APPLICATION:

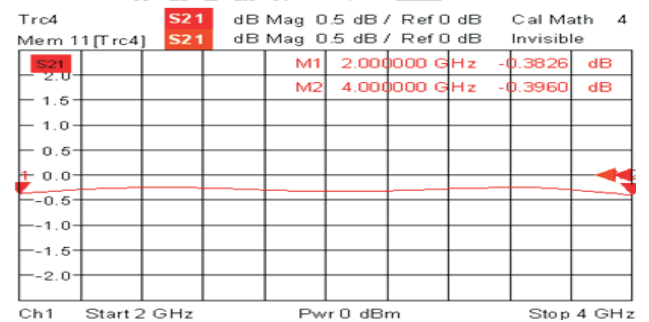
- ◆ Octave or even wider Bandwidth with coaxial connectors at Input and Output Port
- ◆ Could be used in EW, Radar, Test systems and Wide Band Microwave Assemblys.

TECHNICAL SPECIFICATIONS:

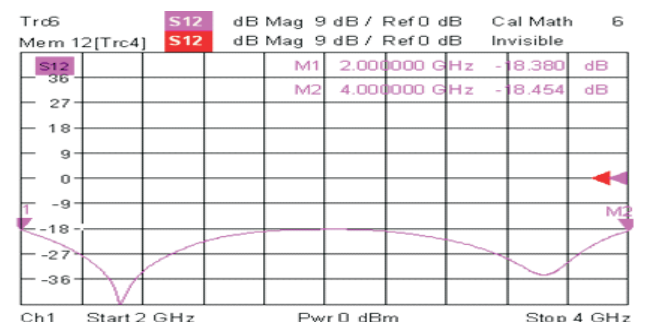
Frequency Range	Insertion Loss	VSWR	Isolation	Average Power FWD/REV	Transmission Direction	Connector
2-4GHz	0.6dB	1.4	17dB	10W / 2W	From Left To Right	SMA-F

TYPICAL PLOT:

Insertion loss



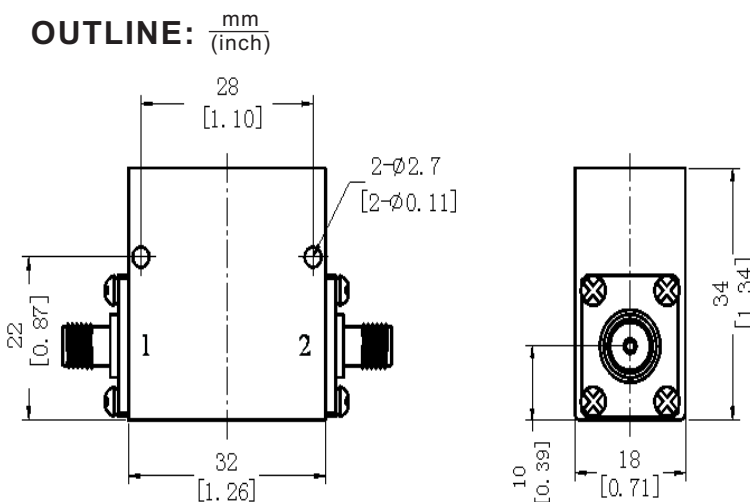
Isolation



ENVIRONMENTAL PARAMETERS:

WORKING TEMPERATURE: -10~+60°C

OUTLINE:



VSWR

