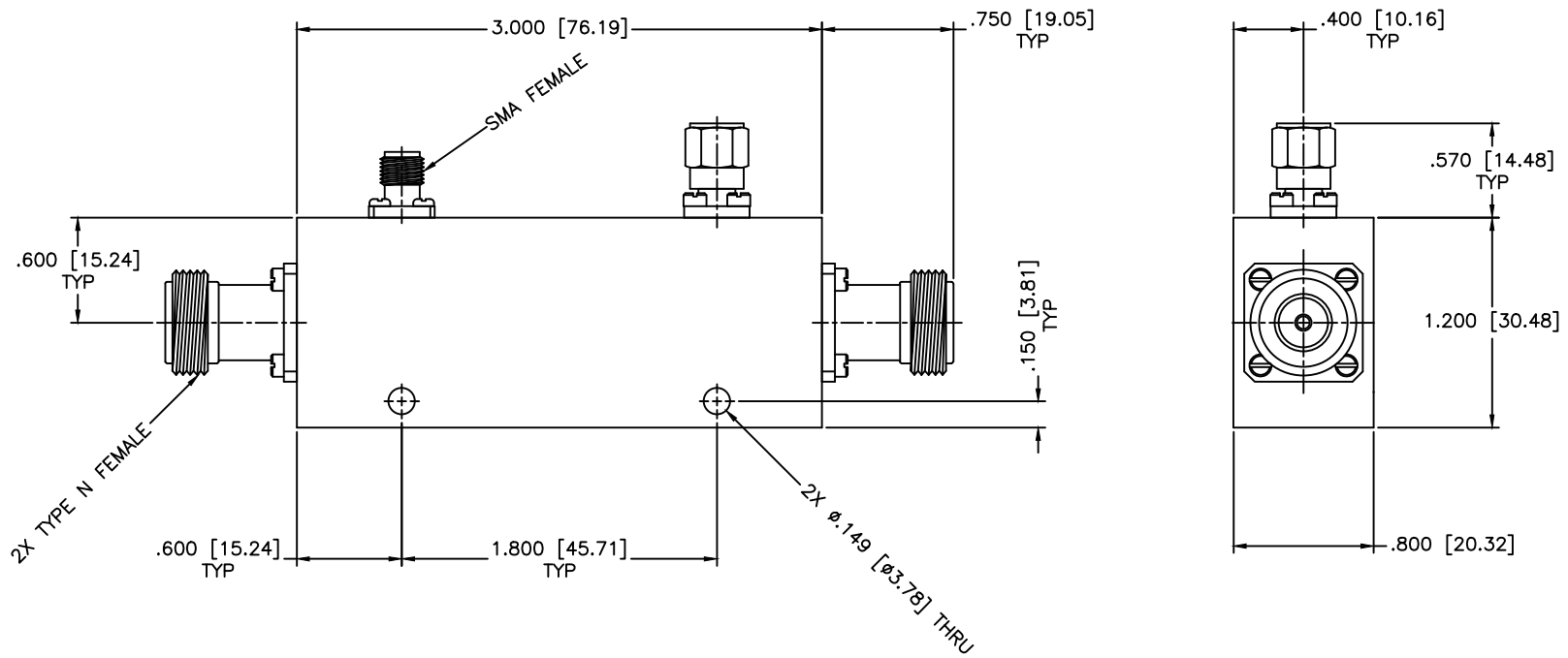


REVISIONS				
ZONE	REV	DESCRIPTION	Date	APPROVED



SPECIFICATIONS

- Frequency Range: 2-8 GHz
- Coupling: X \pm 1.00dB
- Insertion Loss: 0.20dB Max.
- Frequency Sensitivity: \pm 0.60 dB
- VSWR: 1.30:1 Max.
- Directivity: 16dB Min.
- Power Handling: 400W CW

MATERIAL:		MCLI MICROWAVE COMMUNICATIONS LABORATORIES INC. 7255 30TH AVE. N. SAINT PETERSBURG, FL 33710 TEL: (727) 344-6254 FAX: (727) 381-6116 http://WWW.MCLI.COM	SCALE:	N/A
			SHEET:	N/A
UNLESS OTHERWISE SPECIFIED: TOLERANCES IN (INCHES) OR [mm] (MILLIMETERS) FRACTIONS: \pm 1/64 DECIMALS: \pm .01 \pm .005 ANGLE: \pm 1/2°		DRAWING TITLE: HIGH POWER DIRECTIONAL COUPLER		
DRAWN: Paiboon Luekhamhan		PART NO. HC-8-X		
DATE: 11-16-1997		CAGE CODE: OD2L5		
APPROVED: T. Nguyen		DATE: 11-16-1997		
PROPRIETARY NOTICE: THE INFORMATION IN THIS DRAWING IS PROPRIETARY AND SHALL NOT BE USED OR DISCLOSED WITHOUT WRITTEN PERMISSION FROM MICROWAVE COMMUNICATIONS LABORATORIES INC. (MCLI)		SIZE: A	REV: N/A	DWG NO. 80562
THIRD ANGLE PROJECTION		DO NOT SCALE THE DRAWING		