

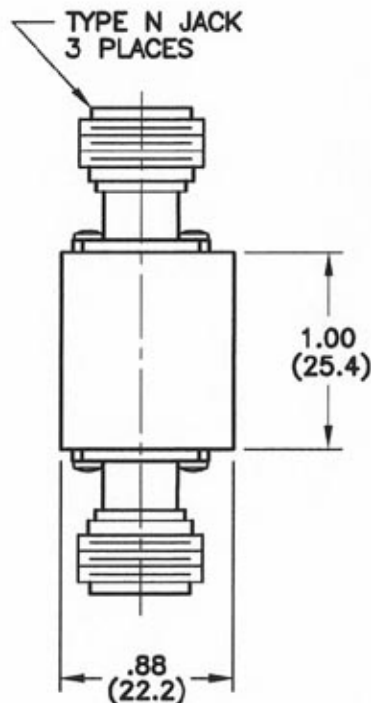
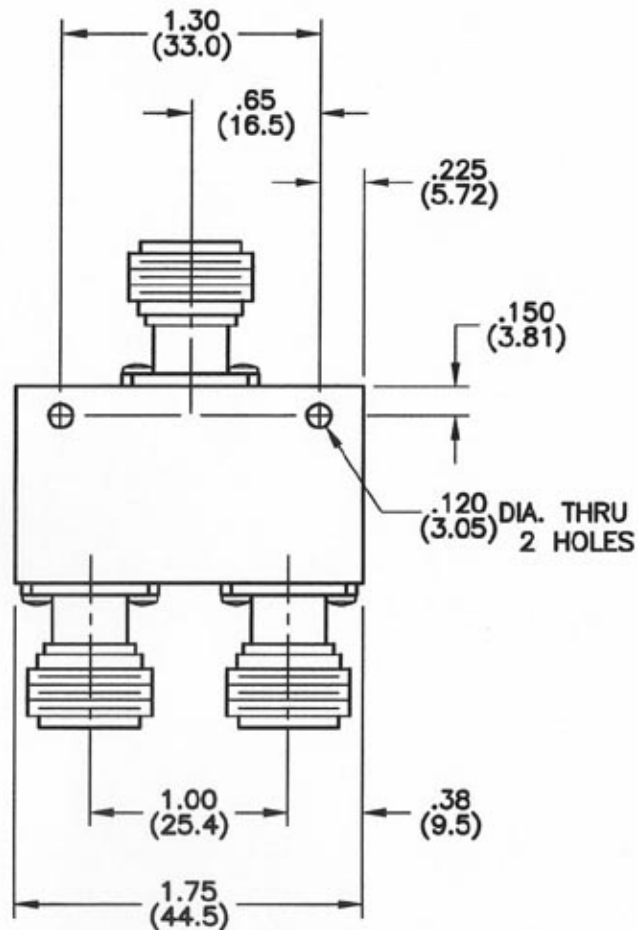
4

3

2

1

REVISIONS				
REV	ZONE	DESCRIPTION	DATE	BY ECO



SPECIFICATIONS:

FREQUENCY: 1.5 - 3.0 GHz

ISOLATION: 28dB TYP., 25dB MIN.

VSWR: 1.20:1 MAX.

INSERTION LOSS: 0.5dB MAX, 0.3 dB TYP
POWER: 30 WATTS AVG., WITH LOAD
VSWR OF 1.20:1 OR BETTER

DIMENSIONS: (INCHES
(MILLIMETERS))

TOLERANCES	
DECIMAL ± .03	FRAC ±
.000 ± .010	ANG ±
MATERIAL	
FINISH	
DR	G.V.Cothren
CHK	
APPD	
APPO	

THE INFORMATION CONTAINED IN THIS DOCUMENT IS THE PROPERTY OF MICROWAVE DEVICES, INC. AND IS PROPRIETARY. IT IS NOT TO BE COPIED OR USED FOR ANY PURPOSE OTHER THAN AS INSTRUCTED, IN WRITING, BY MICROWAVE DEVICES, INC.

SIGNATURES		DATE
DR	G.V.Cothren	12-8-08
CHK		
APPD		
APPO		

MICROWAVE DEVICES
RF and Microwave Components

OUTLINE, MODEL 2PD2.25-N
2-WAY DIVIDER, TYPE N

CAGE	SIZE	DRAWING NO.	
60674	B	900633-2	
DRAWING SCALE		1.75:1	SHEET 1 OF 1

CONTACT: MICROWAVE DEVICES - 1150 N. GRAHAM RD.
(317) 736-8833 FRANKLIN, IN 46131

DIMENSIONS ARE IN INCHES UNLESS OTHERWISE SPECIFIED.

4

3

2

1