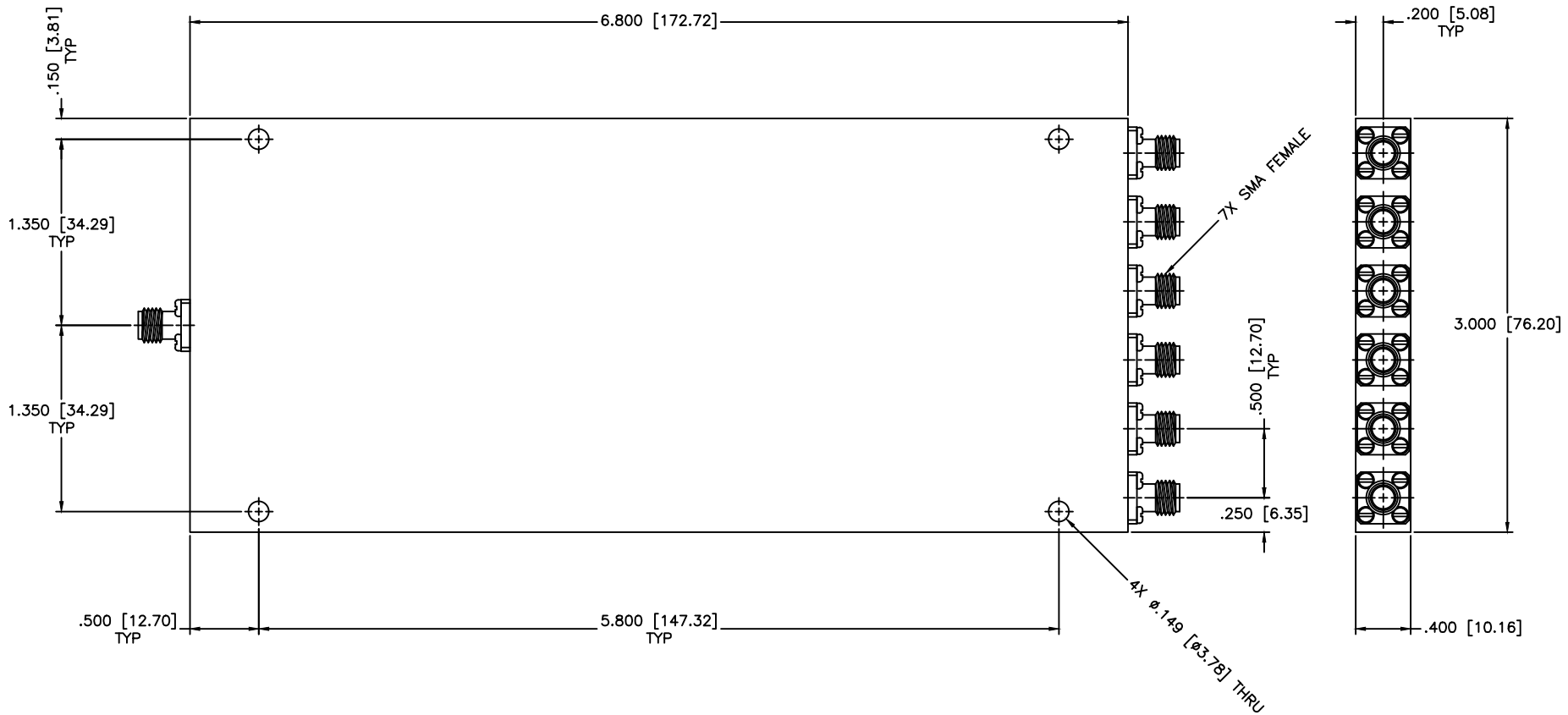


| REVISIONS |     |             |      |          |
|-----------|-----|-------------|------|----------|
| ZONE      | REV | DESCRIPTION | Date | APPROVED |



**SPECIFICATIONS**

- Frequency Range: 0.5–2 GHz
- Insertion Loss: 2.0dB Max.
- Isolation: 16dB Min.
- Phase Balance:  $\pm 10$  Deg. Max.
- Amplitude Balance:  $\pm 1.75$ dB Max.
- VSWR IN/OUT: 1.70:1/1.60:1 Max.
- Input Power: 20W (Load vswr @ 1.2)

|   |  |  |                |                     |
|---|--|--|----------------|---------------------|
| MATERIAL:   |  | <b>MCLI</b> MICROWAVE COMMUNICATIONS LABORATORIES INC.<br>7255 30TH AVE. N. SAINT PETERSBURG, FL 33710<br>TEL: (727) 344-6254 FAX: (727) 381-6116<br><a href="http://WWW.MCLI.COM">http://WWW.MCLI.COM</a> | SCALE:         | N/A                 |
| UNLESS OTHERWISE SPECIFIED:<br>TOLERANCES<br>IN (INCHES) OR [mm] (MILLIMETERS)<br>FRACTIONS: $\pm 1/64$<br>DECIMALS: $\pm .01 \pm .005$<br>ANGLE: $\pm 1/2^\circ$                                   |  |  | DRAWING TITLE: | 6-WAY POWER DIVIDER |
| DRAWN: Paiboon Luekhamhan   |  | DATE: 07-07-1998   |                | PART NO. PS6-3A     |
| APPROVED: T. Nguyen   |  | DATE: 07-07-1998   |                | CAGE CODE: OD2L5    |
| PROPRIETARY NOTICE:<br>THE INFORMATION IN THIS DRAWING IS PROPRIETARY<br>AND SHALL NOT BE USED OR DISCLOSED WITHOUT WRITTEN<br>PERMISSION FROM MICROWAVE COMMUNICATIONS<br>LABORATORIES INC. (MCLI) |  | SIZE: N/A  | REV: N/A       | DWG NO. 81080       |
| THIRD ANGLE PROJECTION  |  | DO NOT SCALE THE DRAWING   |                |                     |