

Miniaturized drop-in circulators & isolators



MINIATURIZED DROP-IN CIRCULATORS & ISOLATORS

TEMEX has designed a line of miniaturized drop-in circulators and isolators covering the frequency ranges from **75 MHz** to **18 GHz**.

These circulators and isolators are designed to be used for applications where **space saving** and **magnetic shielding** are required, to avoid any detuning when operating close to magnetic field or ferrous materials:

- Cellular applications such as **NMT**, **AMPS**, **CT-1**, **CT-2**, **TACS**, **E-TACS**, **GSM**, **JDC**, **DECT**, **DCS**, **PCS**, **WLAN** and any communication base stations: **TFTS**, **INMARSAT** etc.
- Broadcasting applications: **DAB**, etc.
- Microstrip sub-systems
- Airborne equipment
- Missiles
- Radars / phase array antennas
- Satellite pay loads
- Earth stations

Circulators and isolators are available under standard packages with “standard inch” dimensions.

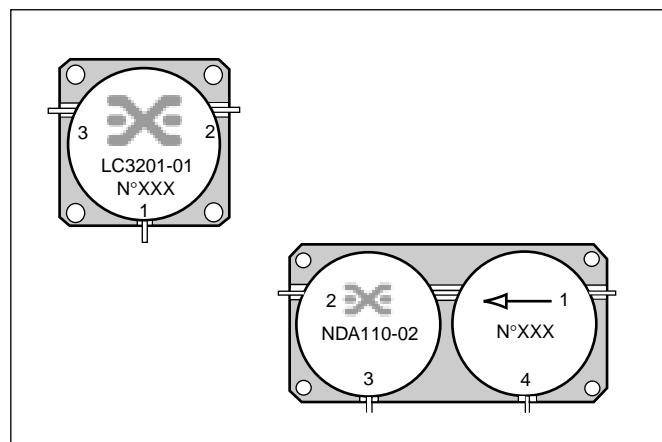
Isolators integrate the load which is:

- Up to 60 W-CW power handling capability for VHF/UHF bands,
- 1 W-CW power handling capability for microwave frequency bands.

For microwave applications, circulators are available in round package. Isolators are available in flange type package with or without through mounting holes.

Depending on the requested isolation, one or two cell designs are available in the VHF/UHF band as standard packages.

The drop-in design allows easy and fast installation into stripline and microstrip assemblies with mounting screws or soldering with conductive epoxy glue.



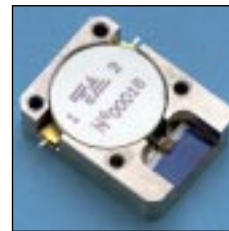
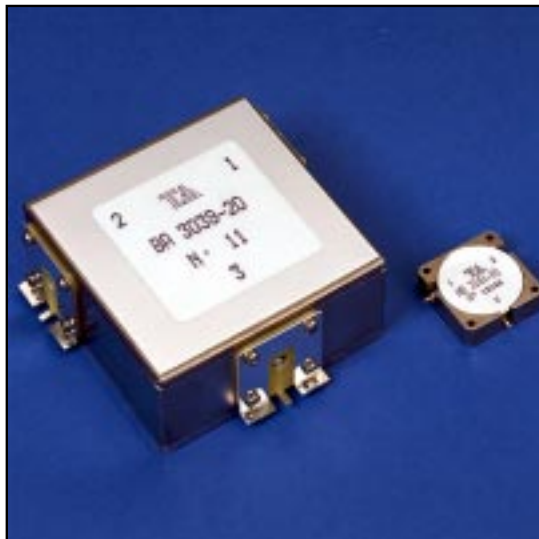
Test jigs for different packages are available for customer's incoming inspection.

3-Port circulators & isolators

Model		Frequency range (MHz)	Isolation (dB)		Insertion loss (dB)		V.S.W.R. max.	Power (W-CW)		Case	Operating temperature °C
Circulator	Isolator		typ.	min.	typ.	max.		Input	Load*		
NB3040	NB1040	380-430	22	20	0.3	0.4		100	60	T58	-10 to +55
NC3104	NC1104	890-960	23	20	0.3	0.4	1.25	100	60	T42	-10 to +55
NC3106	NC1106	920-960	25	20	0.3	0.4	1.25	100	60	T42	-10 to +55
ND3100	ND1100	1030-1090	22	20	0.3	0.5	1.25	100	10	T42	-10 to +55
ND3141	ND1141	1270-1400	22	20	0.3	0.5	1.25	30	3	T42	-10 to +55
ND3161	ND1161	1452-1492	22	20	0.3	0.4	1.25	30	0.3	T42	-10 to +55
ND3162	ND1162	1525-1661	22	20	0.3	0.5	1.25	30	3	T42	-10 to +55
ND3183	ND1183	1710-1785	22	20	0.3	0.4	1.25	30	3	T44	-10 to +55
ND3184	ND1184	1805-1880	22	20	0.3	0.4	1.25	50	50	T44	-10 to +55
ND3181	ND1181	1805-1880	23	20	0.3	0.4	1.25	50	50	T42	-10 to +55
ND3186	ND1186	1930-1990	23	20	0.3	0.4	1.25	50	50	T44	-10 to +55
ND3182	ND1182	1930-1990	23	20	0.3	0.4	1.25	50	50	T42	-10 to +55
	NE1101	2100-2300	23	20	0.3	0.4	1.25	10	1	T44	-10 to +55
	NE1120	2300-2500	23	20	0.3	0.4	1.25	10	1	T44	-10 to +55
	NE1130	2700-2900	23	20	0.3	0.4	1.25	150	15	T44	-30 to +70
	NF1100	2700-3100	23	20	0.4	0.5	1.3	150	15	T44	-30 to +70
NG3142		5400 - 5900	22	20	0.3	0.4	1.22	1	1	T53	-30 to +70
NG3140	NG1140	5650 - 5850	25	23	0.3	0.4	1.25	10	1	T45	-30 to +70
	NJ1101	7900 - 8400	20	17	0.5	0.6	1.50	10	1	NJ1	-40 to +85
	NJ1111	8500 - 9500	20	17	0.6	0.7	1.50	10	1	NJ1	-40 to +85
	NJ1139	9820- 12600	18	16	0.6	0.7	1.45	1	1	NJ1	-40 to +85
NJ3130		11000- 11500	22	20	0.4	0.5	1.25	20		NJ3	-40 to +85
NJ3151		13000- 14000	22	20	0.4	0.5	1.25	30		NJ3	-40 to +90
	NJ1140	13000- 14000	22	20	0.6	0.8	1.50	10	2	NJ1	-45 to +125
	NJ1161	14000- 14500	22	20	0.5	0.6	1.25	20	1	NJ1	-45 to +125
	NJ1162	14500- 15500	22	20	0.5	0.6	1.50	10	1	NJ1	-40 to +85
	NJ1160	15500 - 16000	22	20	0.5	0.6	1.50	10	1	NJ1	-40 to +85

* Notes:

- For an isolator: power of the integrated load, 10 W-load optional,
- For a circulator: reflected power handling capability.



Miniaturized drop-in circulators & isolators



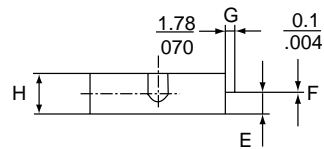
Outline drawings

3-Port circulators & isolators

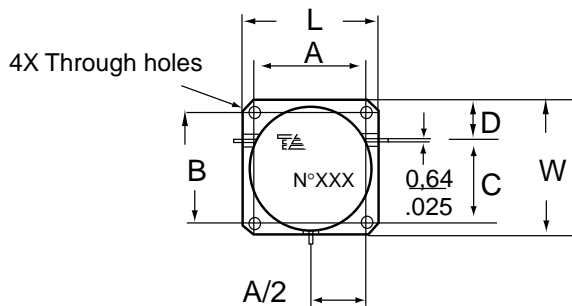
Dimensions in mm

Case	L	W	H	A	B	C	D	E	F	G	Ø Holes
T42	25.4	Circ.: 25.4 Iso.: 31.75 max.	7.62	20.83	20.83	15.36	7.75	3.81	0.64	1.78	2.1
T44	19.05	Circ.: 19.05 Iso.: max. 25.4	6.35	14.50	14.50	10.57	6.20	3.13	0.64	1.78	2.03
T45	12.7	Circ.: 12.7 Iso.: max. 12.7	6.35	9.65	9.65	6.85	4.32	3	0.63	1.8	1.9 or M2.5
T54	51.5	51.5 Iso.: max. 51.5	12	41.8	41.8	34.15	12.5	3.5	2	1.75	3.3 M2.5
T58	51	51 Iso.: max. 51	19	42	42	34	12.5	4.2	0.5	7	3.5

T42 - T44 - T45 - T54 - T58 SERIES



Circulator



Circulator

