

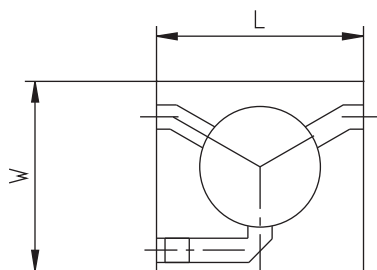
MICROSTRIP CIRCULATOR / ISOLATOR

- Available for 5Ghz-12Ghz
- Low profile, compact design
- High Isolation, Low Insertion Loss
- Military, Spaces and Commercial Applications
- Wide Operation Temperature Range
- Custom Design Available Upon Request

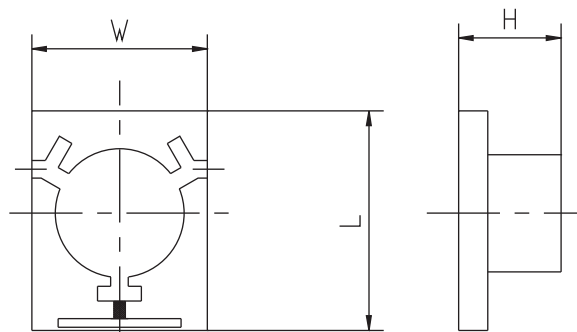


MICROSTRIP CIRCULATOR

FREQUENCY (GHz)		MODEL	BANDWIDTH	ISOLATION	INS LOSS	VSWR	POWER	TEMP	SIZE L *W*H	PAC KAG E
F1	F2	NUMBER	(MHz)	(dB) MIN	(dB) MAX	MAX	(W)	(°C)	(mm)	CODE
5.150	5.350	JCS5150T5350	FULL	20	0.5	1.25	5	-10~+70	12*11*3	IS01
5.900	7.100	JCS5900T7100	FULL	16	0.6	1.40	5	-10~+70	11.9*10.7*3.8	IS01
8.500	9.500	JCS8500T9500	FULL	20	0.5	1.25	5	-30~+70	8*8*3	IS02
8.800	9.800	JCS8800T9800	FULL	18	0.6	1.30	5	-30~+70	6*7.5*3.7	IS02
9.000	10.000	JCS9000T10K 0	FULL	20	0.5	1.20	5	-30~+70	7.5*6*3.5	IS02
10.700	11.700	JCS10K 7T11K 7	FULL	20	0.5	1.25	5	-30~+70	7*7*3	IS02



IS01-MICROSTRIP CIRCULATOR



IS02-MICROSTRIP CIRCULATOR

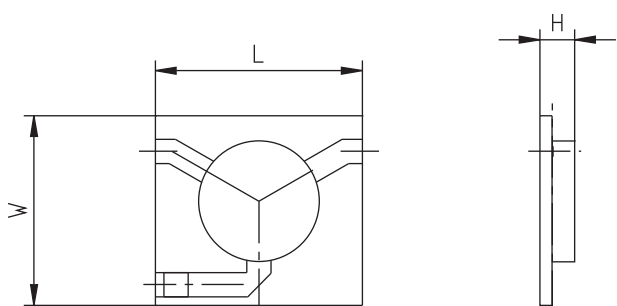


500 Lake Cook Road, Suite 350, Deerfield, IL 60015, USA
 Tel:1(888)236-9828/ 1(630)930-9917 Fax:1(630)823-2902
 Website:www.jqlelectronics.com email: sales@jqlelectronics.com

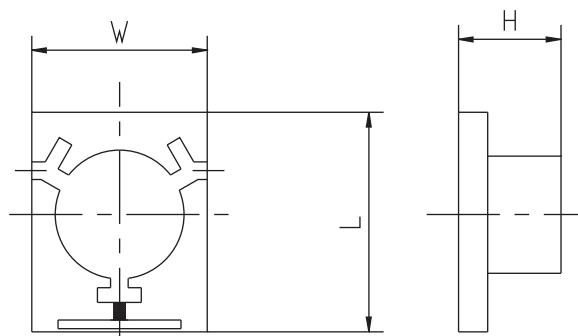
MICROSTRIP CIRCULATOR / ISOLATOR

MICROSTRIP ISOLATOR

FREQUENCY (GHz)		MODEL	BANDWIDTH	ISOLATION	INS LOSS	VSWR	POWER	TEMP	SIZE L *W*H	PAC KAG E
F1	F2	NUMBER	(MHz)	(dB) MIN	(dB) MAX	MAX	FWD/REV (W)	(°C)	(mm)	CODE
5.150	5.350	JIS5150T5350	FULL	20	0.5	1.25	5/5	-10~+70	12*11*3	IS01
5.900	7.100	JIS5900T7100	FULL	16	0.6	1.40	5/5	-10~+70	11.9*10.7*3.8	IS01
8.500	9.500	JIS8500T9500	FULL	20	0.5	1.25	5/5	-30~+70	8*8*3	IS02
8.800	9.800	JIS8800T9800	FULL	18	0.6	1.30	5/5	-30~+70	6*7.5*3.7	IS02
9.000	10.000	JIS9000T10K 0	FULL	20	0.5	1.20	5/5	-30~+70	7.5*6*3.5	IS02
10.700	11.700	JIS10K 7T11K 7	FULL	20	0.5	1.25	5/5	-30~+70	7*7*3	IS02



IS01-MICROSTRIP ISOLATOR



IS02-MICROSTRIP ISOLATOR



JQL ELECTRONICS INC.
 1-888-236-9828 (USA) 1-630-930-9917 (International) sales@jqlelectronics.com