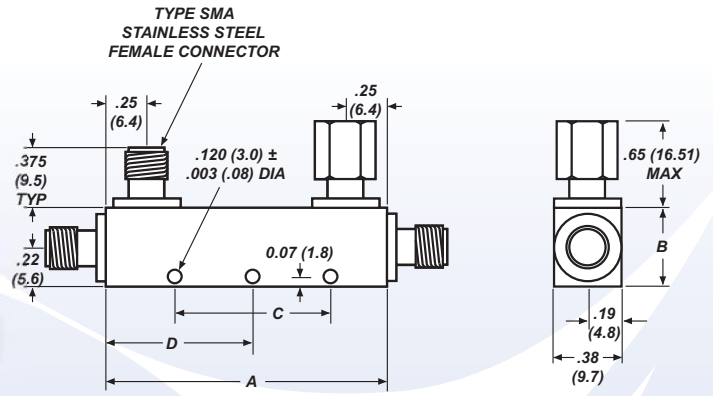


# Directional Couplers - Octave Band

- 0.5 - 18.0 GHz
- Miniature Size
- High Directivity
- Low VSWR
- RF Shielded
- Robust Construction



General Specifications	
Design	Stripline
Circuit	PTFE Based
Housing	Aluminium
Connectors	SMA to MIL-C-39012
Temperature	-55 +105C
Finish	Paint

FIG	A	B	C	D
1	3.10 (78.8)	0.50 (12.7)	1.50 (38.1)	N/A
2	3.10 (78.8)	0.55 (14.0)	1.50 (38.1)	N/A
3	1.78 (45.2)	0.50 (12.7)	0.94 (23.9)	N/A
4	1.78 (45.2)	0.55 (14.0)	0.94 (23.9)	N/A
5	1.16 (29.5)	0.50 (12.7)	0.34 (8.6)	N/A
6	1.16 (29.5)	0.55 (14.0)	0.34 (8.6)	N/A
7	1.00 (25.4)	0.50 (12.7)	N/A	0.50 (12.7)
8	1.00 (25.4)	0.55 (14.0)	N/A	0.50 (12.7)
9	1.00 (25.4)	0.60 (15.3)	N/A	0.50 (12.7)

All dimensions are in inches (mm).

Custom frequency ranges, specifications and configurations are also available.

(1) Includes frequency sensitivity

Model No	Frequency (GHz)	Coupling (1) (dB)	Frequency Sensitivity (dB)	Insertion Loss (dB) max.		Directivity (dB) min.	VSWR max.		Power			Fig.
				excl. coupled power	True		Pri. Line	Sec. Line.	avg. incident (watts)	avg. reflected (watts)	Peak (kW)	
A3202-6	0.5-1	6 ± 1.00	± 0.60	0.20	1.80	25	1.15	1.15	50	2	3	1
A3202-10	0.5-1	10 ± 1.25	± 0.75	0.20	0.80	25	1.10	1.10	50	5	3	1
A3202-20	0.5-1	20 ± 1.25	± 0.75	0.15	0.20	25	1.10	1.10	50	50	3	1
A3202-30	0.5-1	30 ± 1.25	± 0.75	0.15	0.20	25	1.10	1.10	50	50	3	2
A3203-6	1.0-2.0	6 ± 1.00	± 0.60	0.20	1.80	25	1.15	1.15	50	2	3	3
A3203-10	1.0-2.0	10 ± 1.25	± 0.75	0.20	0.80	25	1.10	1.10	50	5	3	3
A3203-20	1.0-2.0	20 ± 1.25	± 0.75	0.15	0.20	25	1.10	1.10	50	50	3	3
A3203-30	1.0-2.0	30 ± 1.25	± 0.75	0.15	0.20	25	1.10	1.10	50	50	3	4
A3204-6	2.0-4.0	6 ± 1.00	± 0.60	0.20	1.80	22	1.15	1.15	50	2	3	5
A3204-10	2.0-4.0	10 ± 1.25	± 0.75	0.20	0.80	22	1.15	1.15	50	5	3	5
A3204-20	2.0-4.0	20 ± 1.25	± 0.75	0.15	0.20	22	1.15	1.15	50	50	3	5
A3204-30	2.0-4.0	30 ± 1.25	± 0.75	0.15	0.20	22	1.15	1.15	50	50	3	6
A3245-6	2.6-5.2	6 ± 1.00	± 0.60	0.20	1.80	20	1.25	1.25	50	2	3	7
A3245-10	2.6-5.2	10 ± 1.25	± 0.75	0.20	0.80	20	1.25	1.25	50	5	3	7
A3245-20	2.6-5.2	20 ± 1.25	± 0.75	0.20	0.25	20	1.25	1.25	50	50	3	7
A3245-30	2.6-5.2	30 ± 1.25	± 0.75	0.20	0.20	20	1.25	1.25	50	50	3	8
A3205-6	4.0-8.0	6 ± 1.00	± 0.60	0.25	1.90	20	1.25	1.25	50	2	3	7
A3205-10	4.0-8.0	10 ± 1.25	± 0.75	0.25	0.90	20	1.25	1.25	50	5	3	7
A3205-20	4.0-8.0	20 ± 1.25	± 0.75	0.25	0.30	20	1.25	1.25	50	50	3	7
A3205-30	4.0-8.0	30 ± 1.25	± 0.75	0.25	0.25	20	1.25	1.25	50	50	3	8
A3206-6	7.0-12.4	6 ± 1.00	± 0.50	0.30	2.00	17	1.30	1.30	50	2	3	7
A3206-10	7.0-12.4	10 ± 1.00	± 0.50	0.30	1.00	17	1.30	1.30	50	5	3	7
A3206-20	7.0-12.4	20 ± 1.00	± 0.50	0.30	0.35	17	1.30	1.30	50	50	3	7
A3206-30	7.0-12.4	30 ± 1.00	± 0.50	0.30	0.30	17	1.30	1.30	50	50	3	9
A3267-6	7.5-16.0	6 ± 1.00	± 0.60	0.60	2.20	15	1.35	1.40	50	2	2	7
A3267-10	7.5-16.0	10 ± 1.25	± 0.75	0.60	1.20	15	1.35	1.40	50	5	2	7
A3267-20	7.5-16.0	20 ± 1.25	± 0.75	0.60	0.55	15	1.35	1.40	50	50	2	9
A3267-30	7.5-16.0	30 ± 1.25	± 0.75	0.60	0.50	15	1.35	1.40	50	50	2	9
A3207-6	12.4-18.0	6 ± 1.00	± 0.50	0.60	2.20	12	1.35	1.40	50	2	1	7
A3207-10	12.4-18.0	10 ± 1.00	± 0.50	0.60	1.20	12	1.35	1.40	50	5	1	7
A3207-20	12.4-18.0	20 ± 1.00	± 0.50	0.50	0.55	15	1.35	1.40	50	50	1	9
A3207-30	12.4-18.0	30 ± 1.00	± 0.50	0.50	0.50	15	1.35	1.40	50	50	1	9

We reserve the right to change standard product specifications without notice but will be pleased to consider control drawings for quotation.

## Passive Components