

CMOS MINIATURE SMD VCXO (3.2 x 2.5 x 1.2mm)

FEATURES:

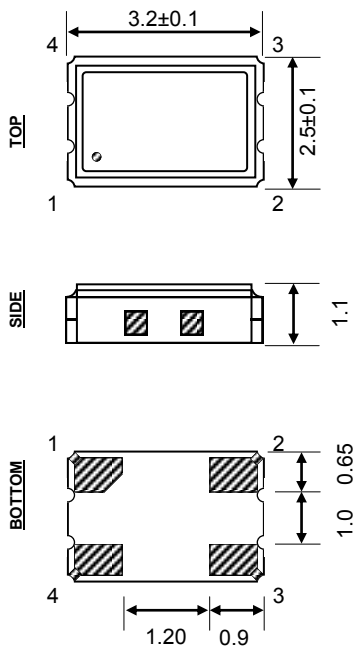
- SMALLEST PACKAGE VCXO
- WIDE FREQUENCY RANGE
- EXCELLENT HEAT RESISTANCE / HIGH STABILITY



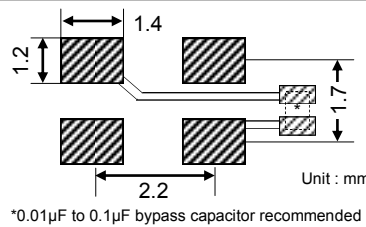
■ SPECIFICATION

| PARAMETER | MIN. | TYP. | MAX. | UNIT | NOTE | |
|-----------------------------|------------------------------------|-----------------------|-----------------|-----------------------|---------------------------------|---------------------------------|
| FREQUENCY RANGE | 1.25 | | 55 | MHz | | |
| FREQUENCY STABILITY | ±10 | | ±100 | ppm | See P/N guide for other options | |
| OPERATING TEMPERATURE RANGE | -40 | | 85 | °C | See P/N guide for other options | |
| STORAGE TEMPERATURE RANGE | -55 | | 125 | °C | | |
| SUPPLY VOLTAGE ±10% | 1.8 | | 3.3 | V | See P/N guide for other options | |
| SUPPLY CURRENT | | | 10 | mA | | |
| OUTPUT | LOGIC FAMILY | HCMOS | | | | |
| | LOAD | 15pF | | | | |
| | LEVEL LOGIC '1' (V _{OH}) | 0.9 x V _{DD} | | | V | |
| | LEVEL LOGIC '0' (V _{OL}) | | | 0.1 x V _{DD} | V | |
| | SYMMETRY (DUTY CYCLE) | 40 | 50 | 60 | % | See P/N guide for other options |
| | RISE AND FALL TIME (Tr/Tf) | | | 5 | nS | |
| START-UP TIME | | | 5 | mS | | |
| FREQUENCY DEVIATION | ±50 | | | ppm | See P/N guide for other options | |
| CONTROL VOLTAGE | 0 | 1/2 V _{DD} | V _{DD} | V | | |
| SLOPE | Positive | | | | | |
| LINEARITY | | | ±15 | % | | |
| MODULATION BANDWIDTH @-3dB | 10 | | | kHz | | |
| INPUT IMPEDANCE | 100 | | | kΩ | | |
| AGING @ 25°C + 3°C | | | ±3 | ppm | @ for 1 st year | |
| PHASE JITTER RMS | | | 100 | pS | @ 12kHz ~ 20MHz offset | |
| PHASE NOISE | | | -120 | dBc/Hz | @1kHz offset | |

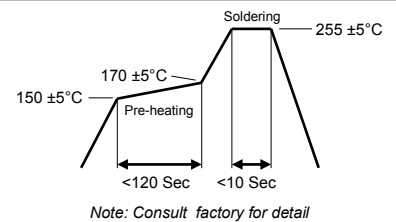
■ PACKAGE DIMENSIONS



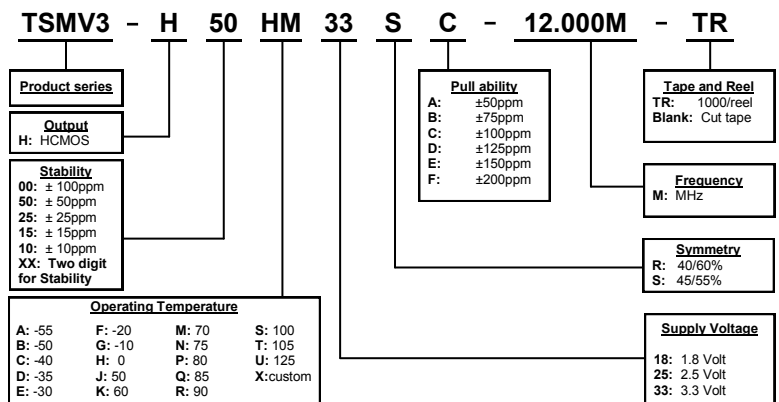
■ SOLDER PATTERN



■ REFLOW PROFILE



■ PART NUMBERING GUIDE



Transko Electronics, Inc reserves the right to make changes to the product (s), service (s), and specification (s) described herein without notice. See "Terms of Sale" for details on our website.