



RF-LAMBDA

The power beyond expectations

RKT2G8A80

ROTARY KNOB MANUAL CONTROL STEP ATTENUATOR (DC-8GHZ 80DB RANGE)

Product description

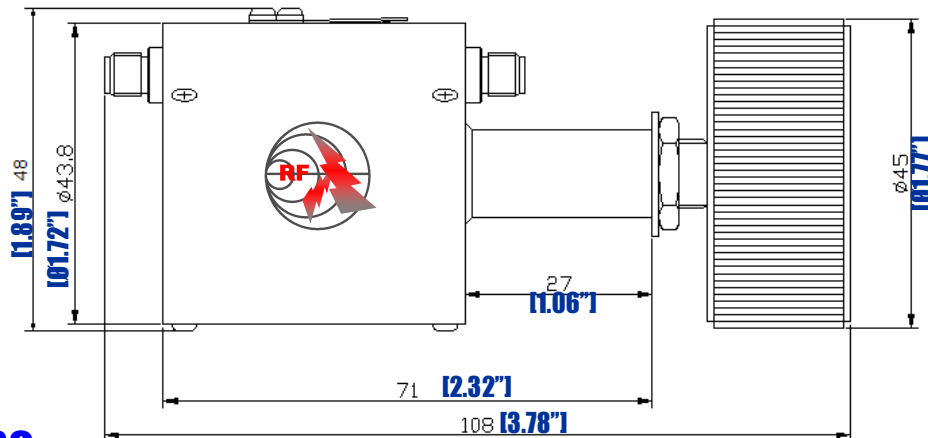
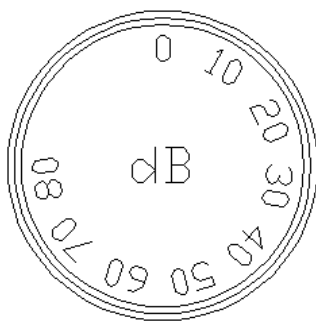
- Very small package and broadband performance
- Adjustable during operation
- Excellent Repeatability low deviation
- Low Deviation from Nominal Value
- 50Ω impedance
- Higher power is available upon request
- Custom Configurations Available Upon Request.
- 2W CW average power
- Custom Configurations Available Upon Request.



Applications:

Include Communication, 3G, Digital Transmission, Radar, Military, Broadcast & Television, science & Research department etc.

| Part Number | Frequency | Power (Watts) | Attenuation Range (dB) | Attenuation Step (dB) | VSWR max. | Insertion Loss (dB) | Accuracy (dB) |
|-------------|-----------|---------------|------------------------|-----------------------|-----------|---------------------|---------------|
| RKT2G8A80 | DC-8.00 | 2 | 80 | 10 | 1.4 | <1 | +/-1.0dB |



PN: RKT 2 G X A 80

Manual Control Attenuator Power Handle In Watt Freq Unit GHz Freq Number Product Type Attenuation Range

Connector: SMA type, weight: 250g

Temperature (Operational): -10° C~+50° C (Storage) -40° C~+70° C

MANUAL CONTROL ROTARY ATTENUATOR (DC-8GHZ 80DB RANGE)