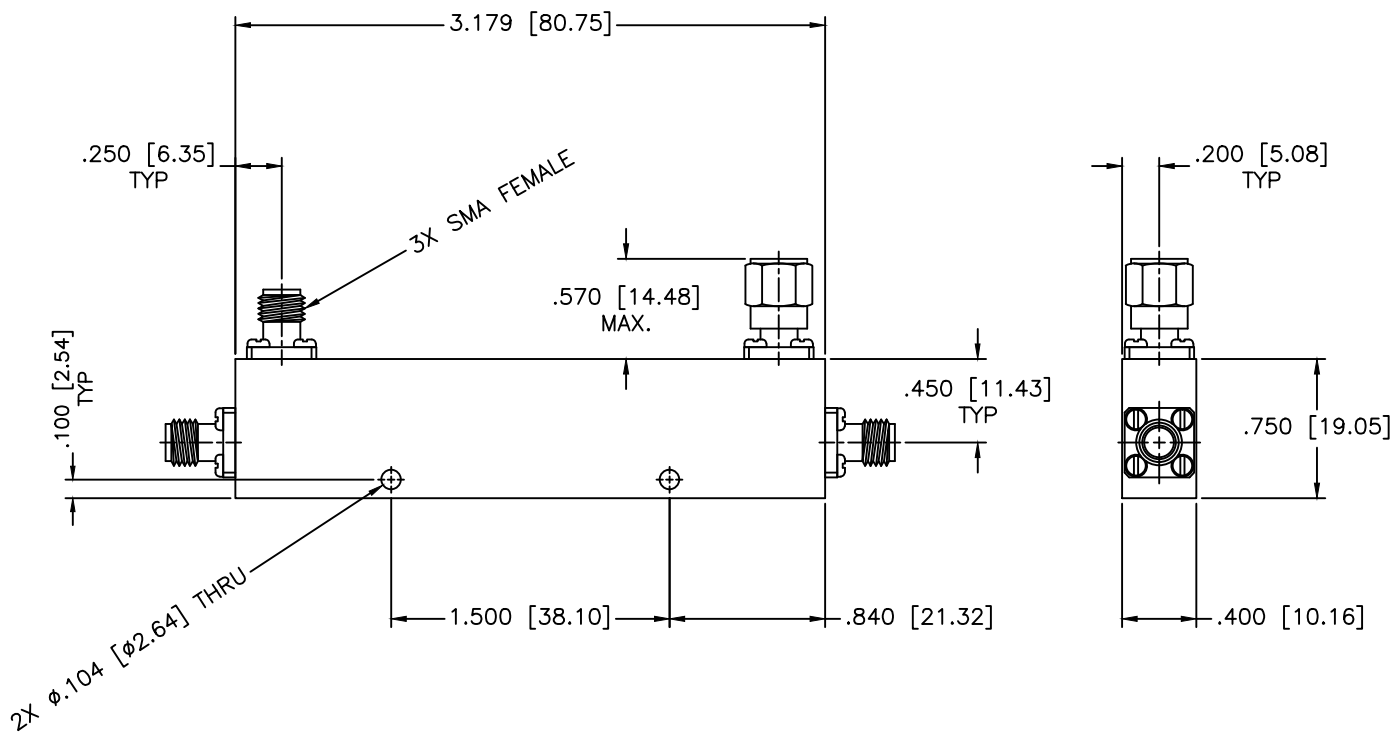


REVISIONS				
ZONE	REV	DESCRIPTION	DATE	APPROVED



SPECIFICATIONS

Frequency Range: 0.8–0.9 GHz
 VSWR: 1.25:1 Max.
 Coupling: 20±1.25dB
 Insertion Loss: 0.55dB Max.
 Directivity: 20dB Min.
 Frequency Sensitivity: ±0.75dB
 Power Incident, Reflected: 50W, 50W, 1kW Peak

MATERIAL:			MICROWAVE COMMUNICATIONS LABORATORIES INC. 7255 30TH AVE. N. SAINT PETERSBURG, FL 33710 TEL: (727) 344-6254 FAX: (727) 381-6116 http://WWW.MCLI.COM		SHEET:	N/A
			UNLESS OTHERWISE SPECIFIED: TOLERANCES IN (INCHES) OR [mm] (MILLIMETERS) FRACTIONS: ± 1/64 DECIMALS: ±.01 ±.005 ANGLE: ±1/2°		DRAWING TITLE: DIRECTIONAL COUPLER	
DRAWN:		DATE:		PART NO.		
Paiboon Luekhamhan		04-20-1999		C43-20		
APPROVED:		DATE:		CAGE CODE:	SIZE:	REV:
T. Nguyen		04-20-1999		OD2L5	A	N/A
		PROPRIETARY NOTICE: THE INFORMATION IN THIS DRAWING IS PROPRIETARY AND SHALL NOT BE USED OR DISCLOSED WITHOUT WRITTEN PERMISSION FROM MICROWAVE COMMUNICATIONS LABORATORIES INC. (MCLI)		DWG NO. 81301		
		THIRD ANGLE PROJECTION 		DO NOT SCALE THE DRAWING		