

BIAS TEES, TYPE N (75 Ω)

up to 3 GHz, 100 Volts / 2.5 Amps

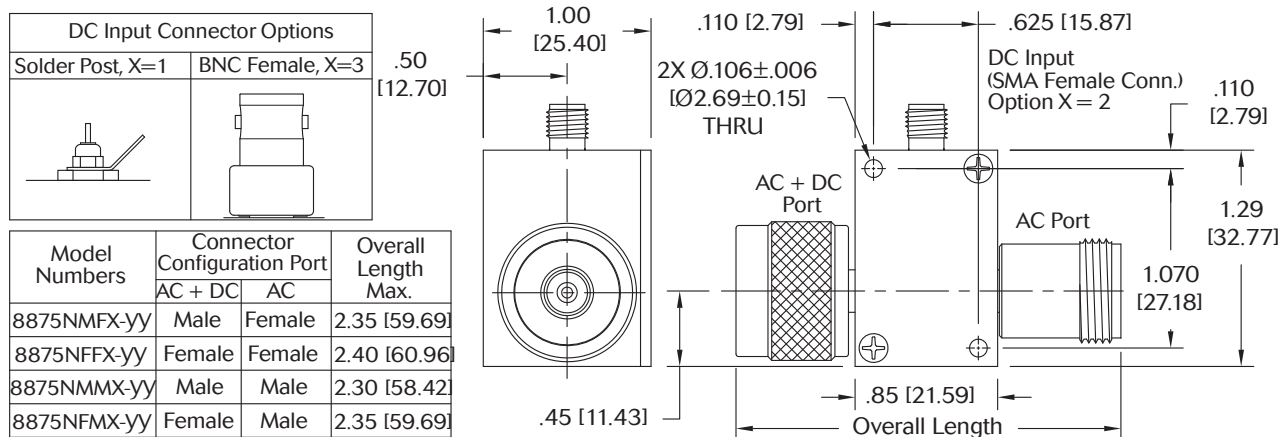


SPECIFICATIONS:

Models: 8875NMFx-yy, 8875NFFx-yy, 8875NMMx-yy, 8875NFMx-yy

Electrical:		
Frequency Range	10 MHz - 3 GHz	
Insertion Loss	Typical	Maximum
10 MHz - 30 MHz	2.00 dB	3.00 dB
30 MHz - 3 GHz	0.75 dB	1.50 dB
VSWR	Typical	Maximum
30 MHz - 3 GHz	1.50:1	1.80:1
Isolation (RF to Bias Port)	> 30dB Typ.	
3dB Bandwidth	5 MHz - 6 GHz	
Impedance	75 Ohms	
Bias-Path Resistance	0.04 Ohms Typ., 0.05 Ohms Max.	
DC Voltage	100 VDC Max.	
DC Current	2.5 Amps Max.	
Environmental		
Operating Temperature Range	-55°C to +105°C	
Storage Temperature Range	-60°C to +90°C	
Mechanical:		
SMA Connectors	Passivated Stainless Steel	
Mates with MIL-STD-348		
**Type N Connectors	Passivated Stainless Steel	
BNC Connectors	Nickel Plated Brass	
Mates with MIL-STD-348		
Conductors	Gold Plated Beryllium Copper	
Body	Aluminum with Chemical Conversion Coating	

**75 Ohm Type N Connectors Mate only with other 75 Ohm Type N Connectors
Mating with a 50 Ohm Connector May DAMAGE Center Conductors.



HOW TO ORDER:

Model Number: **8875NZZX-yy**
 Base Number | DC Connector Type | Freq. Range
 1 = Solder Post | 2 = SMA Female Conn. | 03 = 10 MHz - 3.0 GHz
 3 = BNC Female Conn.

Ordering Examples:

Model Number: **8875NFF2-03**
 10 MHz - 3.0 GHz, Type 75-Ohm N Fem/Fem
 SMA Female DC Connector Type
 Model Number: **8875NMF1-03**
 10 MHz - 3 GHz, Type 75-Ohm N Male/Fem
 Solder Post DC Connector Type

Note: Dimensions in Brackets are Expressed in Millimeters and are for Reference Only.
 Design specifications are subject to change without notice.
 Contact factory for technical specifications before purchasing or use.

8875N: REV B



Aeroflex / Inmet, Inc. • 300 Dino Drive, Ann Arbor, MI 48103 • U.S.A.
 888-244-6638 or 734-426-5553 • FAX: 734-426-5557
 www.aeroflex.com/inmet • inmet-sales@eroflex.com