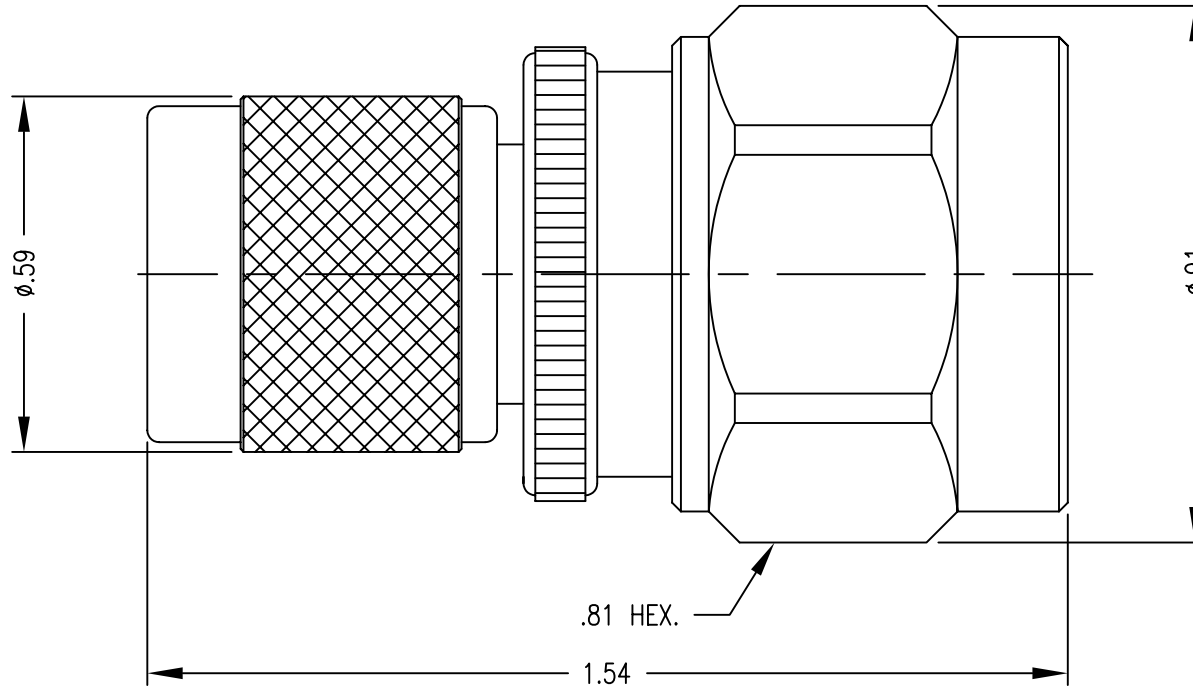


- 1.0 PERFORMANCE
- 1.1 FREQUENCY RANGE: DC-6GHz
- 1.2 VOLTAGE RANGE: 500V RMS (sea level)
- 1.3 NOMINAL IMPEDANCE: 50 OHMS
- 1.4 DWV: 1500V RMS @ 60Hz (sea level)
- 1.5 TEMPERATURE RANGE: -65°C TO +165°C
- 2.0 MATERIALS
- 2.1 DIELECTRIC: TEFLON, ASTM-D-1710
- 2.2 CENTER CONTACT: BERYLLIUM COPPER, ASTM-B-196

- 2.3 LOCKING RINGS: PHOSPHOR BRONZE, ASTM-B-159, ALLOY 510
- 2.4 ALL OTHER METAL PARTS: BRASS, ASTM-B-16
- 2.5 GASKETS: SILICON RUBBER, ZZ-R-765, GR. 50, RED
- 3.0 FINISHES
- 3.1 CENTER CONTACT: GOLD PLATED
- 3.2 ALL OTHER METAL PARTS: NICKEL PLATED
- 4.0 MECHANICAL
- 4.1 N TYPE INTERFACE IN ACCORDANCE WITH MIL-STD-348
- 4.2 TNC REVERSE POLARITY COMPATIBLE WITH CISCO SYSTEMS & TIMES MICROWAVE



PROPRIETARY
THIS DRAWING CONTAINS CONFIDENTIAL INFORMATION
PROPRIETARY TO SAN*TRON INC. IT MUST NOT BE
REPRODUCED OR DISCLOSED TO OTHERS OR USED IN
ANY OTHER WAY, IN WHOLE OR PART EXCEPT AS
AUTHORIZED IN WRITING BY SAN*TRON INCORPORATED.



SAN • TRON, INC.

4 NEWBURYPORT TPK, IPSWICH, MA 01938

REMOVE ALL BURRS AND SHARP
EDGES .005 MAX.
UNLESS OTHERWISE STATED
ALL DIMENSIONS ARE IN INCHES
AND APPLY AFTER PLATING

TITLE ADAPTER, STRAIGHT, RPTNC
SOCKET TO N MALE

MATERIAL: SEE NOTE 2.0
FINISH: SEE NOTE 3.0

UNSPECIFIED TOL.	DWN	JMB	8/30/02
.XX \pm .015	CHKD	SJS	9/3/02
.XXX \pm .010	APPR	FSH	9/3/02
FRAC. \pm 1/64			

FSCM NO. 50896	DWG NO. OL-0910-61-1	REV. A
SCALE 3:1		

CONCENTRICITY .004 TIR
ALL MACHINED SURFACES \checkmark 63

Rev.	Revisions	Date	Dwn.	Appd.
A	ORIGINAL	9/3/02		
RECOM.	STOCK SIZE	FT/M PCS	QTY REQD	