

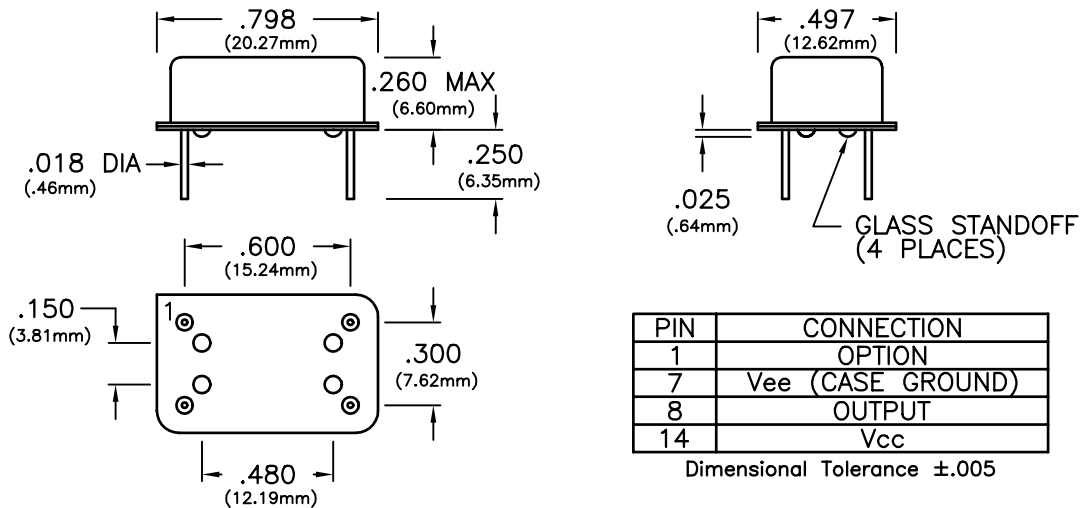


# CONNOR-WINFIELD CORPORATION

AURORA, IL. 60505  
 PHONE (630) 851-4722  
 FAX (630) 851-5040

## 14 PIN DIP PECL

|  |  |  |          |          |
|--|--|--|----------|----------|
| SPECIFICATIONS   | EH13-51*   | EH13-52*   | EH13-53* | EH13-54* |
| Frequency Range  | 10MHz to 400MHz  |  |          |          |
| Frequency Stability  | ±25ppm   | ±50ppm   | ±100ppm  | ±20ppm   |
|  | (Inclusive of calibration tolerance at 25°C, operating temperature range, input voltage change, load change, aging, shock and vibration) |  |          |          |
| Temperature Range  | 0°C to +70°C   |  |          |          |
| Output   | Waveform   | PECL Squarewave, 10K Compatible  |          |          |
|  | Voltage Voh  | 3.98 Minimum , 4.26 Maximum  |          |          |
|  | Vol  | 3.05 Minimum , 3.40 Maximum  |          |          |
|  | Duty Cycle   | 45/55 Maximum at 3.67V   |          |          |
|  | Rise/Fall Time   | 2.3nS Maximum  |          |          |
| Output must be terminated into 50 ohms to +3Vdc -OR- 270 ohms to Vee |  |  |          |          |
| Supply Voltage   | +5Vdc ±5%  |  |          |          |
| Supply Current   | 85mA Maximum   |  |          |          |
| Package  | All metal, hermetically sealed, welded package   |  |          |          |
| Options *<br><br>(add letter to end of model number)                 | 0  | Pin 1: No Connection   |          |          |
|  | 1  | Pin 1: Complementary Output  |          |          |
|  | 2  | Pin 1: Enable/Disable<br>Enable; Low Level, Vil (3.40V Max) , Disable; High Level, Vih (3.87V Min)<br>NOTE: When oscillator is disabled the output is in a low state (vol) |          |          |



| PIN | CONNECTION        |
|-----|-------------------|
| 1   | OPTION            |
| 7   | Vee (CASE GROUND) |
| 8   | OUTPUT            |
| 14  | Vcc               |

Dimensional Tolerance ±.005

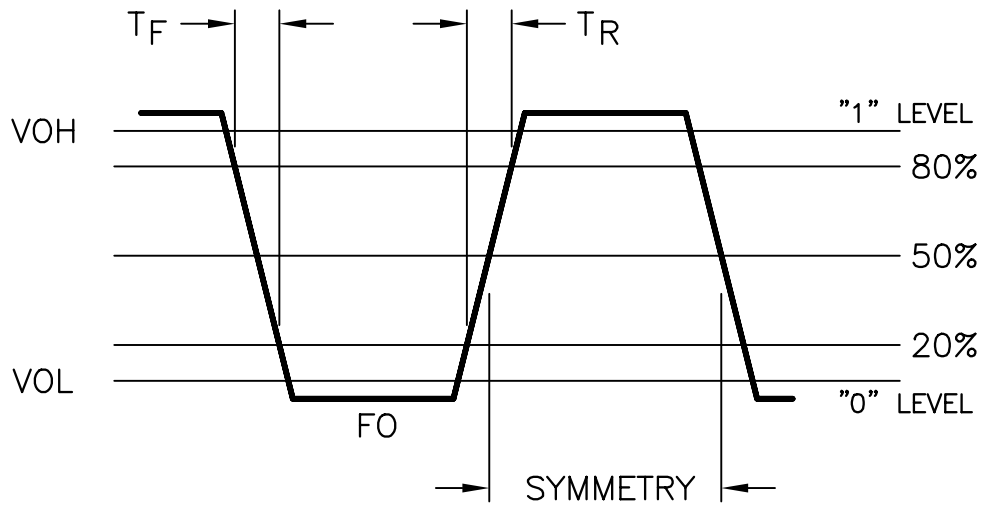
Specifications subject to change without notice



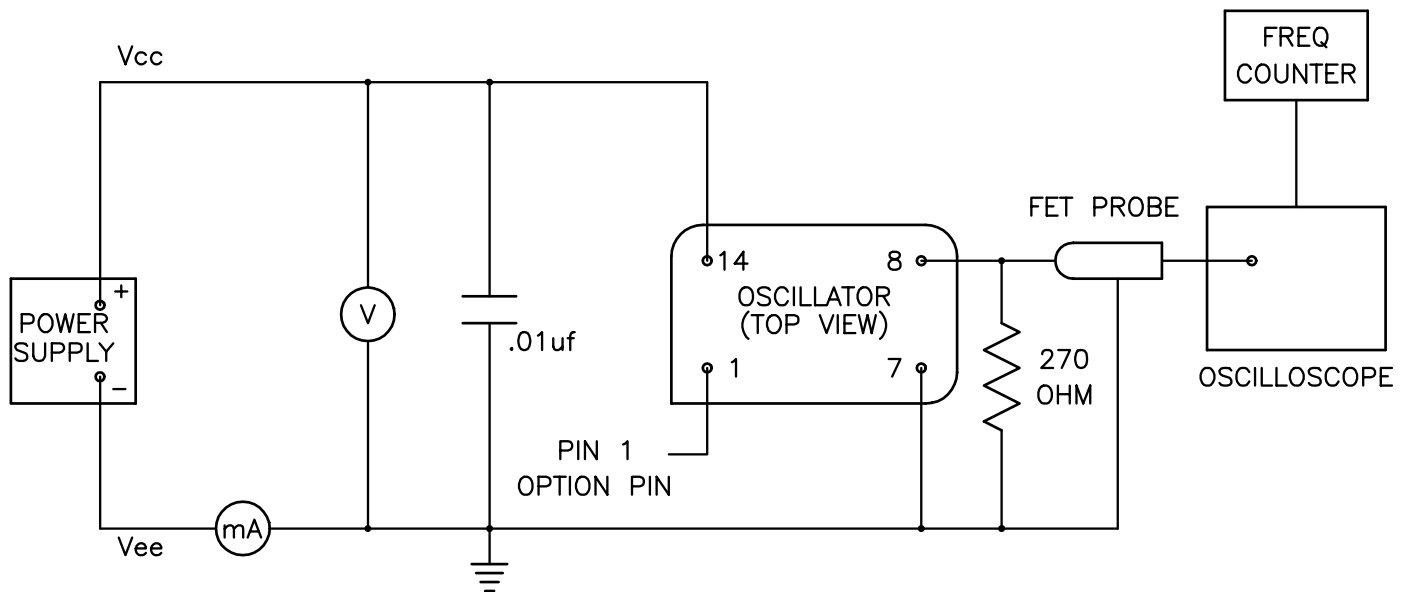
# CONNOR-WINFIELD CORPORATION

AURORA, IL. 60505  
 PHONE (630) 851-4722  
 FAX (630) 851-5040

## OUTPUT WAVEFORM



## TEST CIRCUIT



Specifications subject to change without notice

BULLETIN #: EC052  
 PAGE 2 OF 2

REV: 04  
 DATE: 4/21/95

ISSUED BY: \_\_\_\_\_