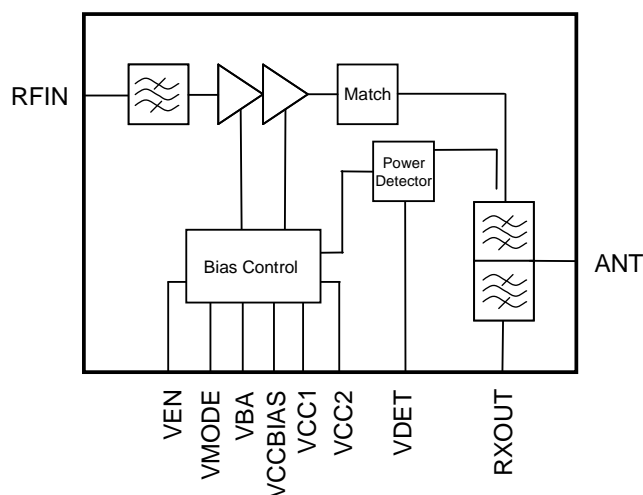


WCDMA / HSUPA Band VIII Tritium III PA Duplexer Module™

Functional Block Diagram



Product Description

The Tritium III PAD™ is an integrated 3V Linear Power Amplifier, Duplexer and Transmit Filter Module including a highly accurate Output Power Detector designed for mobile UMTS handset applications, supporting HSUPA operation with transmission data-rates up to 10Mb/s.

It features 2 output power modes, additional continuous bias in low power mode, low off and standby currents, and a separate pin for module enable. RF input and output matching is included within the module; therefore, minimal external circuitry is required. The Tritium III PAD™ gives excellent RF performance with low current consumption resulting in longer talk times in portable applications. The tiny 7x4x1.1 mm³ surface mount package is ideal for new generation slim, small and light phones.

Electrical Specifications

Parameter	Min	Typ	Max	Units
Frequency	880		915	MHz
Linear P _{OUT} (HSUPA) high power mode	24.0			dBm
Maximum current high power mode		325		mA
Idle current low power mode		15		mA
ACPR (HSUPA) 5 MHz		-43		dBc
ALPR (HSUPA) 10 MHz		-60		dBc
Ant-to-RX Insertion Loss		2		dB

Test Conditions: V_{CC1} = V_{CC2} = 3.8 V, T_a = 25°C

Features

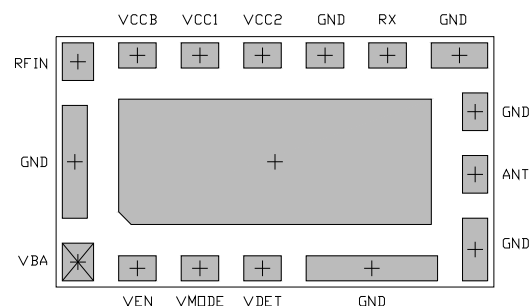
- Handset Tritium III PAD™ (PA-Duplexer) Module for UMTS Band VIII (GSM900 MHz band)
- Specified for HSUPA Modulation
- Integrates Power Amplifier, Highly Accurate Output Power Detector, Transmit Filter and Duplexer
- No Regulated Voltage Required
- Separate 'Module Enable' Pin
- All RF Ports Matched to 50 Ω
- Low Current Consumption:
 - 2 Power Modes
 - Continuous Bias in Low Power Mode
 - Low Idle Current (15mA typ.) in Low Power Mode
- Compatible for Low Collector Voltage Operation with DC-DC-Converters

Applications

- 3G UMTS Handsets and Data-Cards

Package Style

- Compact 7 x 4 x 1.1 mm³ 16-Pin LGA Package



WCDMA / HSUPA Band VIII Tritium III PA Duplexer Module™

Absolute Maximum Ratings

Item #	Parameter	Symbol	Specification			Unit	Remarks
			Min	Typ	Max		
1	DC Supply Voltage 1, 2	Vcc1, Vcc2	0.7		6	V	no RF power
			0.7		4.7	V	no damage at max. RF Power, VSWR=10:1 -20°C ≤ Ta ≤ 85°C
2	Bias Supply Voltage	VccB	3.1		6	V	no RF power
					4.7	V	no damage at max. RF Power, VSWR=10:1 -20°C ≤ Ta ≤ 85°C
3	Mode Control Voltage	Vmode	-0.5		3	V	no RF power
4	Enable Voltage	VEN	-0.5		3	V	no RF power
5	Bias Control Voltage	VBA	-0.5		3	V	no RF power
6	RF Input power	Pin			10	dBm	
7	Operating case temperature	Top	-30		85	°C	
8	Operating ambient temperature	Ta	-30		85	°C	
9	Storage temperature	Ts	-55		125	°C	

Note: The part may not survive all maximums applied simultaneously.

Operating Conditions

#			Min	Typ	Max	Unit	
1	DC Supply Voltage 1, 2	Vcc1, Vcc2	3.3	3.8	4.45	V	=Vrange
2	DC Supply voltage 1, 2 with DCDC converter	Vcc1, Vcc2	0.7		4.45	V	
3	Bias Supply Voltage	VccBias	3.3	3.8	4.45	V	
4	Mode Control Voltage	High Power Mode	VmodeH	0	0.56	V	
		Low Power Mode	VmodeL	1.5	2.86	V	
5	Bias Control	High Power Mode	VBA			V	VBA ignored in High Power Mode
		Low Power Mode	VBA	1.15	1.9	V	
6	TX Enable Voltage	Module disabled	VENL	0	0.56	V	
		Module enabled	VENH	1.5	2.86	V	
7	Operating case temperature	50 Ohm operation	TC	-20	25	85	°C = Trange 1
		Load VSWR = 2:1	TC	-20	25	60	°C =Trange 2



WCDMA / HSUPA Band VIII Tritium III PA Duplexer Module™

V_{ba}, Bias Control voltage

Pout (dBm)	Low Power Mode				High Power Mode
	≤ - 10	≤ 3	≤ 10	≤ +16	
VBA (V)	1.35	1.60	1.70	1.90	don't care

ESD Ratings

Item #	Parameter	Symbol	Specification			Unit	Remarks
			Min	Typ	Max		
1	ESD Protect ANT (HBM)	V _{ESDROH}	+/-300			V	Human Body Model 100pF, 1500 Ohm
2	ESD Protect TX in (HBM)	V _{ESDTxH}	+/-300			V	Human Body Model 100pF, 1500 Ohm
3	ESD Protect Rxout (HBM)	V _{ESDRxH}	+/-300			V	Human Body Model 100pF, 1500 Ohm
4	ESD Protect other pins (HBM)	V _{ESDH}	+/-1.5			kV	Human Body Model 100pF, 1500 Ohm

DC Operating Parameters

Item #	Parameter	Symbol	Specification			Unit	Remarks
			Min	Typ	Max		
1	Standby current	I _{STDBY}		150	200	μA	V _{EN} =0.5V, V _{BA} =1.9V, V _{mode} =0V V _{cc1} =V _{cc2} =V _{cc} =4.45V, -20°C <T _a <85°C sum current on all pins
2	Off current	I _{off}		12	20	μA	V _{EN} =0.5V, V _{BA} =0V, V _{mode} =0V V _{cc1} =V _{cc2} =V _{cc} =3.4V, -20°C <T _a <85°C
3	Mode Control Current	I _{Mode}			1	mA	
4	Bias Control						
	Bias Control Current	I _{BA}			1	mA	
	Bias Control Off Resistance	R _{BAL}	1			Mohm	V _{EN} = 0.5V
	Bias Control Off Capacitance	C _{BAL}			4	pF	V _{EN} = 0.5V
5	TX Enable Current	I _E			1	mA	



WCDMA / HSUPA Band VIII Tritium III PA Duplexer Module™

RF Test Conditions

Item #	Parameter	Symbol	Definition
1	Test Conditions Voice	TC1	HPSK modulated carrier in 3.84MHz BW UL ref. Meas. Channel (12.2kbps) from 3GPP TS25.101 Annex A sec. A.2.1. 1 DPCCH@15ksps, Spread Code=0, Relative Power=-6.547dB 1 DPDCH@60ksps, Spread Code=16, Relative Power=-1.087dB CW testing, input power adjusted to meet output power requirements
2	Test Conditions HSDPA	TC2	HPSK modulated carrier in 3.84MHz BW 1 DPCCH@15ksps, Spread Code=0, Relative Power=-7.095dB 1 DPDCH@60ksps, Spread Code=16, Relative Power=-5.157dB 1 HS-DPCCH@15ksps, Spread Code=64, Relative Power=-3.012dB CW testing, input power adjusted to meet output power requirements
3	Test Conditions HSUPA without Power Back-Off	TC3	DPCCH@15ksps, Spread Code=0, Relative Power=-19.391dB, Q branch DPDCH@960ksps, Spread Code=1, Relative Power=-13.931dB, I branch HS-DPCCH@15ksps, Spread Code=64, Relative Power=-19.391dB, Q branch E-DPCCH@15ksps, Spread Code=1, Relative Power=-17.338dB, I branch E-DPDCH1@960ksps, Spread Code=2, Relative Power=-0.371dB, I branch CW testing, input power adjusted to meet output power requirements
4	Test Conditions HSUPA with 2.6dB Power Back-Off	TC4	DPCCH@15ksps, Spread Code=0, Relative Power=-12.499dB, Q branch DPDCH@960ksps, Spread Code=1, Relative Power=-4.540dB, I branch HS-DPCCH@15ksps, Spread Code=64, Relative Power=-22.041dB, Q branch E-DPCCH@15ksps, Spread Code=1, Relative Power=-6.478dB, I branch E-DPDCH1@960ksps, Spread Code=2, Relative Power=-4.425dB, I branch CW testing, input power adjusted to meet output power requirements

Logic Truth Table

Item #	Mode of operation	Symbol	Specification			VCC	Remarks
			VEN	Vmode	VBA		
1	Off	Off	Low	Low	Low	On	
2	Standby	STBY	Low	Low	High	On	
3	High Power Mode	HPM	High	Low	x	On	
4	Low Power Mode	LPM	High	High	0.5 -1.9 V	On	



WCDMA / HSUPA Band VIII Tritium III PA Duplexer Module™

RF Specification for WCDMA Operation in 900 MHz Band

Item #	Parameter	Symbol	Specification			Unit	Remarks
			Min	Typ	Max		
1	operating frequency	f	882.4		912.6	MHz	
2	Linear output power High Power Mode High and Low Power Mode	Po (H1)	24.0			dBm	Vcc=3.3-4.45V, -20°C ≤ T ≤ 85°C, TC1,2,3
		Po (Th)	16.0			dBm	Vcc=3.3 - 4.45V, -20°C ≤ T ≤ 85°C, TC1,2, 3
3	Total active current High Power Mode, Po = 24.0 dBm Low Power Mode, Po = 16.0 dBm Low Power Mode, Po = -10 dBm	Itot (H1)		325	370	mA	Vcc=3.8V; T=25°C, TC3 into 50 Ohm
		Itot (L16)		70	100	mA	Vcc=3.8V; T=25°C, TC3 into 50 Ohm
		Itot (L -10)		14	20	mA	Vcc=3.8V; T=25°C, TC3 into 50 Ohm
4	Adjacent Channel Leakage Po ≤ 24.0 dBm Po ≤ 24.0 dBm	ACLR1		-43	-38	dBc	ACLR referenced to Po, RBW=30 kHz TC1/TC2 /TC3 into 50 Ohm, T=25°C offset +/- 5 MHz, Vcc=3.8V
		ACLR2		-60	-48	dBc	offset +/- 10 MHz, Vcc =3.8V
		ACLR1			-34	dBc	ACLR referenced to Po, RBW=30 kHz TC1/TC2 /TC3 into 2.0:1 VSWR -20°C < T < 60°C offset +/- 5 MHz, 3.3 V ≤ Vcc ≤ 4.45 V
		ACLR2			-44	dBc	offset +/- 10 MHz, 3.3 V ≤ Vcc ≤ 4.45 V
5	Error Vector Magnitude (EVM) Po ≤ 24.0 dBm Po ≤ 24.0 dBm	EVM		3.5	7	%	TC1,2,3 into 50 Ohm, 3.3V ≤ Vcc ≤ 4.45V -20°C ≤ T ≤ +85°C
		EVM			9	%	TC1,2,3 into VSWR 2.0:1, 3.3V ≤ Vcc ≤ 4.45V -20°C ≤ T ≤ +60°C
	Rx path EVM			2.5	3	%	TC3 into 50Ohm, 927.4 MHz < f < 957.6 MHz - 20°C ≤ T ≤ 85°C, 3.3 V ≤ Vcc ≤ 4.45 V
6	Gain High Power Mode, Po=24.0 dBm Low Power Mode, Po=16.0 dBm Low Power Mode, Po < -10 dBm	G(H1)	22.0		30.0	dB	TC1/TC2/TC3 into 50 Ohm, -20°C < T < +85°C , 3.3V < Vcc< 4.45V
		G(Th,L)	15.0		25.0	dB	TC1/TC2/TC3 into 50 Ohm, -20°C < T < +85°C , 3.3V < Vcc< 4.45V
		G(L, -10)	5		17.0	dB	TC1/TC2/TC3 into 50 Ohm, -20°C < T < +85°C , 3.3V < Vcc< 4.45V



WCDMA / HSUPA Band VIII Tritium III PA Duplexer Module™

RF Specification for WCDMA Operation in 900 MHz Band (continued)

Item #	Parameter	Symbol	Specification			Unit	Remarks
			Min	Typ	Max		
7	Insertion phase shift low to high / high to low power mode transition variation from nominal	Pshift_var	-30		30	deg	10dBm <Pout<16dBm, all TCs, VSWR=2:1 -20°C ≤ T ≤ 85°C, 3.3V ≤ Vcc ≤ 4.45V includes variation over f and part to part
8	Gain sensitivity vs gain at Vcc=3.4V, T=25°C High Power Mode at any fixed Po/f combination, 16dBm<Po<24.4dBm Low Power Mode at any fixed Po/f combination, Po<16dBm	DeltaG(H)		± 2.5	± 3.2	dB	All TC, 3.3V < Vcc < 4.45V, -20°C < T < 85°C
		DeltaG(L)		± 2.5	± 3.2	dB	All TC, 3.3V < Vcc < 4.45V, -20°C < T < 85°C
9	Gain Slope vs V _{BA} Low Power Mode at any fixed Po/f-combination	Gs	1		45	dB/V	VBA adjusted for ACLR compliance all TCs, Pout ≤ 16dBm, V _{CC} =3.4V, T=25°C
10	Receive Noise f _{TX} =882.4 - 912.6 MHz	N _{RX}			-114	dBm	all TC into 50 Ohm f _{RX} =925-960MHz, RBW=3.84MHz 3.3V ≤ Vcc ≤ 4.45V, -20°C ≤ T ≤ 85°C,
11	Reverse Intermodulation f _{int} =f _{TX} -5MHz f _{int} =f _{TX} -10MHz f _{int} =f _{TX} - 45 MHz	IMR1			-33	dBc	TC1,2,3 at Pout=24 dBm, Pint = - 14.8dBm RBW=3.84MHz, 3.3V ≤ Vcc ≤ 4.45 V -20°C ≤ T ≤ +85°C
		IMR2			-43	dBc	
		IMR3			- 78.0	dBint	all TCs at Pout=22dBm, Pint = - 17dBm RBW=3.84MHz, 3.3V ≤ Vcc ≤ 4.45 V -20°C ≤ T ≤ +85°C
12	Harmonics Po <24.0 dBm	Hi		-40	-33	dBm	3.3V ≤ Vcc ≤ 4.45 all Harmonics up to 12.5GHz RBW=3.84MHz, -10°C ≤ T ≤ + 65°C TC1 /TC2 /TC3 into VSWR 2.0:1
13	Input VSWR Po < 24.0 dBm				2.4 :1	VSWR	3.3V<Vcc<4.45V, -20°C < T < 85°C, all TCs
14	Load Mismatch Stability Po ≤ 25.0 dBm all spurious < 65 dBc		8:1			VSWR	all TCs, Vcc<4.7V, 0.5V<VBA<2V -30°C ≤ T ≤ 85°C, angles, max Pin= +10dBm

WCDMA / HSUPA Band VIII Tritium III PA Duplexer Module™

RF Specification for WCDMA Operation in 900 MHz (continued)

Item #	Parameter	Symbol	Specification			Unit	Remarks
			Min	Typ	Max		
15	Load Mismatch Ruggedness Po ≤ 25.0 dBm no degradation, no damage		10:1			VSWR	all TCs, Vcc<4.7V, 0.5V<VBA<2V -30°C ≤ T ≤ 85°C, angles, max Pin= +10dBm
16	Rise/ Fall Time, all Po incl. Gain settling time for mode switch	RT			10	μs	10% max Po to 90% max Po
		FT			10	μs	90% max Po to 10% max Po -20°C ≤ T ≤ +85°C, 3.1V ≤ Vcc ≤ 4.45 V
17	Rx Path Losses						
	f _{RX} =35-55 MHz	A _{RX1}	40			dB	-20°C ≤ T ≤ +85°C
	f _{RX} =293 -305 MHz	A _{RX2}	25			dB	-20°C ≤ T ≤ +85°C
	f _{RX} =440-458 MHz	A _{RX3}	45			dB	-20°C ≤ T ≤ +85°C
	f _{RX} =835 - 870 MHz	A _{RX4}	45			dB	-20°C ≤ T ≤ +85°C
	f _{RX} =925 - 927.4 MHz	A _{RX5a}			3.6	dB	T=25°C
	f _{RX} =925 - 927.4 MHz	A _{RX5a}			5.0	dB	-20°C ≤ T ≤ +85°C
	f _{RX} =927.4 -960 MHz	A _{RX5b}			3.0	dB	T= 25°C
	f _{RX} =927.4 -960 MHz	A _{RX5b}			3.6	dB	-20°C ≤ T ≤ +85°C
	f _{RX} =925 -960 MHz variation within any 5MHz channel	A _{RX5var}	-0.5		0.5	dB	-20°C ≤ T ≤ +85°C
	f _{RX} =1980 -1710 MHz	A _{RX6}	9			dB	T=25°C
	f _{RX} =1710 -1785 MHz	A _{RX7}	33			dB	-20°C ≤ T ≤ +85°C
	f _{RX} =1805 -1875 MHz	A _{RX8}	28			dB	-20°C ≤ T ≤ +85°C
	f _{RX} =1920 -1980 MHz	A _{RX9}	33			dB	-20°C < T < +85°C
f _{RX} =2400 - 2500 MHz	A _{RX10}	30			dB	-20°C < T < +85°C	
f _{RX} =2685 - 2790 MHz	A _{RX11}	28			dB	-20°C ≤ T ≤ +85°C	
f _{RX} =2790 -6000 MHz	A _{RX12}	25			dB	-20°C ≤ T ≤ +85°C	
f _{RX} =6000 -12750 MHz	A _{RX13}	15			dB	-20°C ≤ T ≤ +85°C	
18	TX Power @ RX port	RX iso			-27	dBm	- 20°C ≤ T ≤ 85°C f _{TX} =882.4-912.6 MHz, Po= 24.0 dBm 3.3V < Vcc < 4.45 V



WCDMA / HSUPA Band VIII Tritium III PA Duplexer Module™

Power Detector Specification

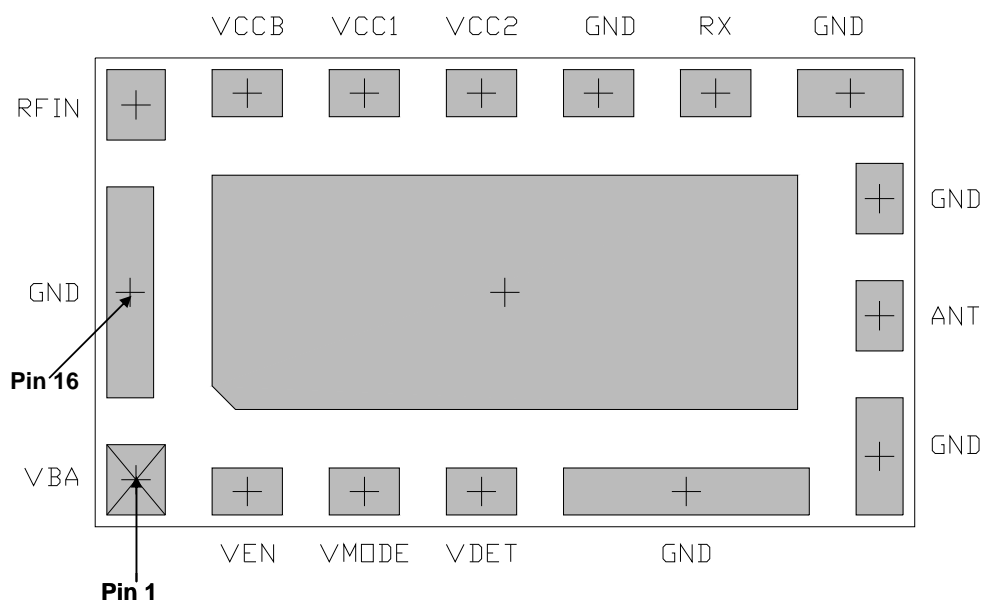
Item #	Parameter	Symbol	Specification			Unit	Remarks
			Min	Typ	Max		
1	Detector Output Range Po= 3 - 25 dBm	Vdet	60		1300	mV	-20°C ≤ T ≤ 85°C, 3.1V ≤ Vcc ≤ 4.45V average Vdet over time signal
2	Power Detector Error (over Vcc and T at fixed f and Pout) Po-Po(3.8V, 25°C), f and Vdet fixed	Pdet_Err1			± 1.0 ± 1.5 ± 2.0	dB dB dB	-20°C ≤ T ≤ 85°C, 3.3V ≤ Vcc ≤ 4.45V 22dBm ≤ Po ≤ 25 dBm, into 50 Ohm 10dBm ≤ Po < 22 dBm, into 50 Ohm 3dBm ≤ Po < 10dBm, into 50 Ohm
3	Power Detector Error (over VSWR at fixed f, Vcc, T and Pout) Po-Po(into 50Ohm) , f,Vcc,T and Vdet fixed	Pdet_Err2 Pdet_Err2			± 0.5 ± 0.75 ± 0.5	dB dB	-10°C ≤ T ≤ 60°C, 3.3V ≤ Vcc ≤ 4.45V VSWR= 1.0:1 to 2.0:1, any angle 10dBm ≤ Po ≤ 25 dBm 3dBm ≤ Po ≤ 16dBm
4	Power Detector Error (over Vmode switch) Po(Vmode high)-Po(VmodeLow) ; f,Vcc,T and Vdet fixed	Pdet_Err3 Pdet_Err3			± 0.25 ± 0.25	dB dB	10dBm ≤ Po ≤ 16 dBm 3.3V ≤ Vcc ≤ 4.45V -20°C ≤ T ≤ 85°C, into 50 Ohm -10°C ≤ T ≤ 60°C, VSWR=1.0:1 to 2.0:1, any angle
5	Detector Load	ZloadDet	100			kOhm	load driven by Vdet -20°C ≤ T ≤ 85°C, 3.3V ≤ Vcc ≤ 4.45V
7	Detector Off State Impedance	ZoffDet	5			MOhm	looking into Vdet, VEN=0.5V -20°C ≤ T ≤ 85°C, 3.3V ≤ Vcc ≤ 4.45V
8	Detector Response (settle within 90% of final Vdet, Cload=2pF)			100 100	150 150	ns ns	-20°C < T < 85°C, 3.3V < Vcc < 4.45V change from 0 to 25 dBm change from 25 to 0 dBm
9	Detector Turn on (cload = 2pF)				10	µs	-20°C < T < 85°C, 3.3V < Vcc < 4.45V detector stabilized at any Po



WCDMA / HSUPA Band VIII Tritium III PA Duplexer Module™

Pin Out and Assignments

TOP VIEW



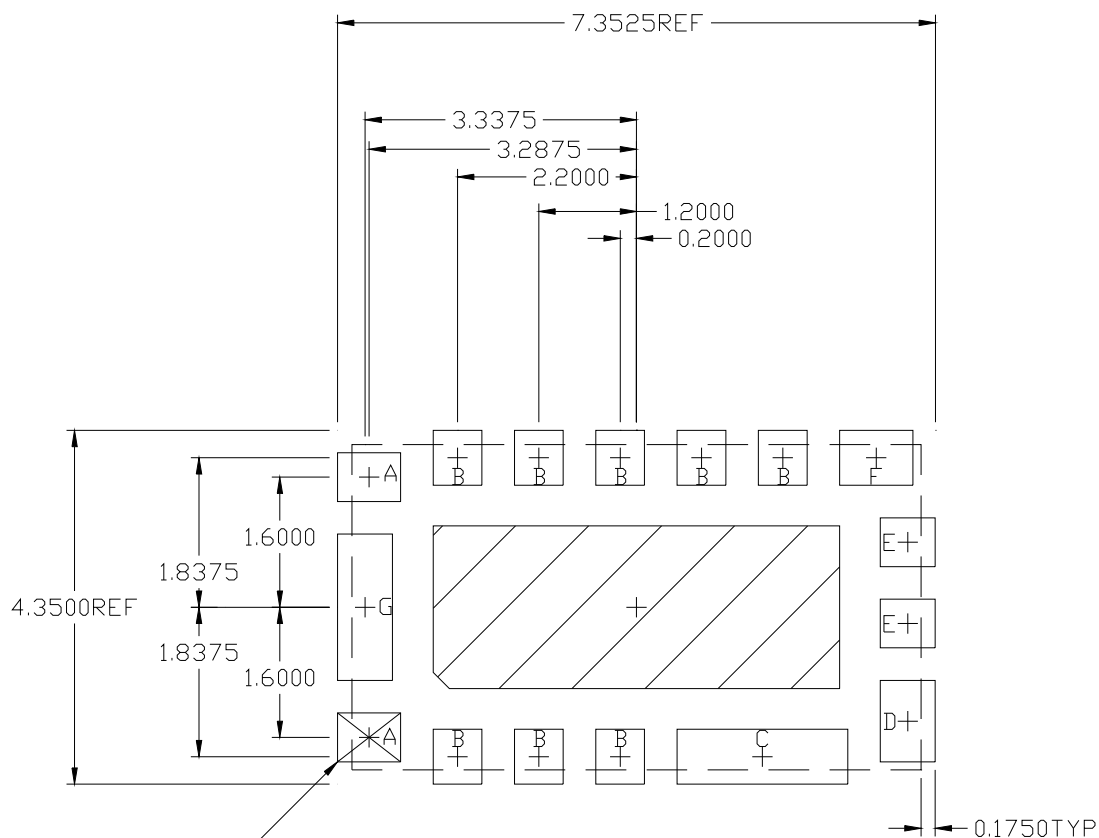
Pin #	Description	Function
1	VBA	Analog bias adjust voltage
2	VEN	Module enable voltage
3	VMODE	Mode voltage
4	VDET	Detector output voltage
5	GND	Ground
6	GND	Ground
7	ANT	RF output (to antenna)
8	GND	Ground
9	GND	Ground
10	RX	Rx output
11	GND	Ground
12	VCC2	Supply voltage for 2nd amplifier stage
13	VCC1	Supply voltage for 1st amplifier stage
14	VCCBIAS	Supply voltage for bias circuit
15	RFIN	RF input
16	GND	Ground
17	GND	Ground



WCDMA / HSUPA Band VIII Tritium III PA Duplexer Module™

PC Board Layout Recommendations

TOP VIEW ETCH RECOMMENDATIONS



PIN 1

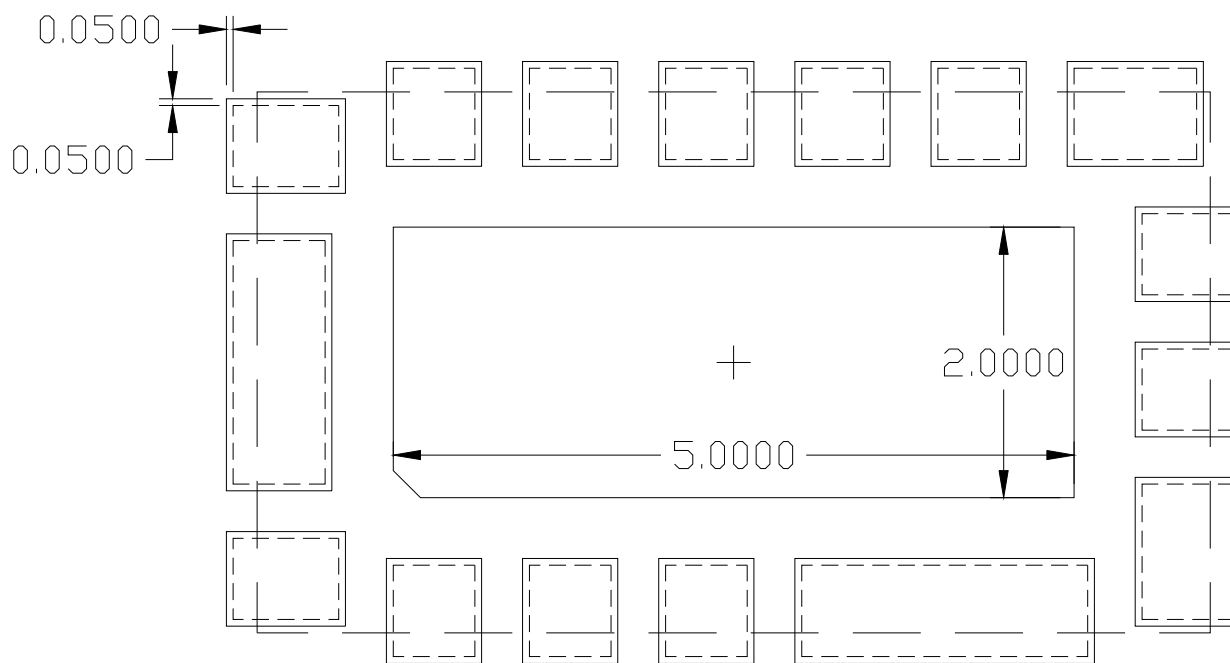
A	(02X)	0.775	X	0.600
B	(08X)	0.600	X	0.675
C	(01X)	2.100	X	0.675
D	(01X)	0.675	X	1.000
E	(02X)	0.675	X	0.600
F	(01X)	0.900	X	0.675
G	(01X)	0.675	X	1.800



WCDMA / HSUPA Band VIII Tritium III PA Duplexer Module™

TOP VIEW SOLDERMASK RECOMMENDATIONS

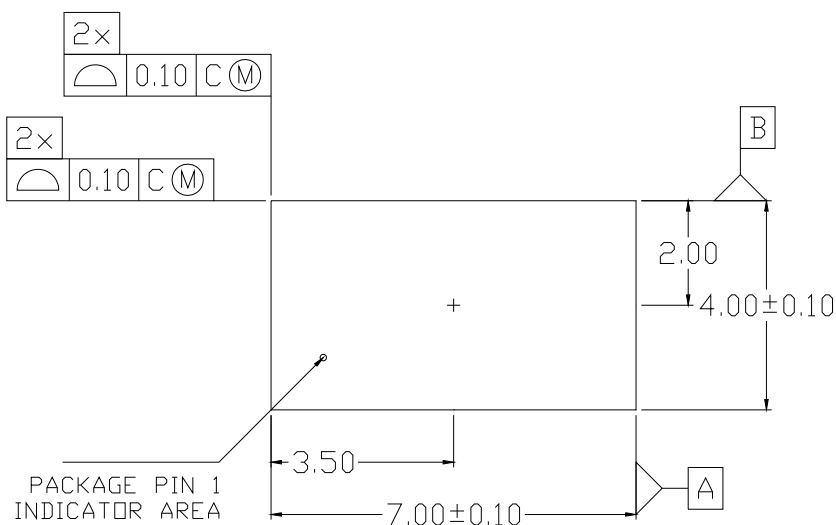
50um (2 MIL) PER SIDE
100% OF MODULE
GANG RELIEVE



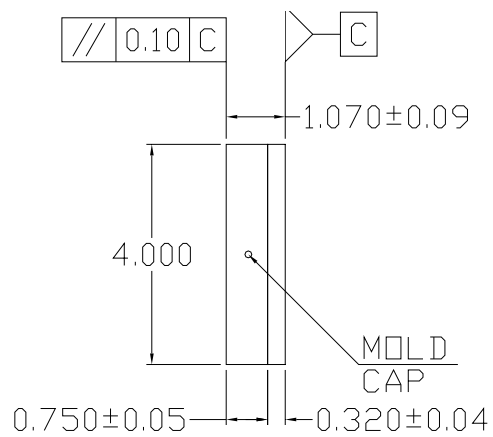
WCDMA / HSUPA Band VIII Tritium III PA Duplexer Module™

Packaging Information

TOP VIEW

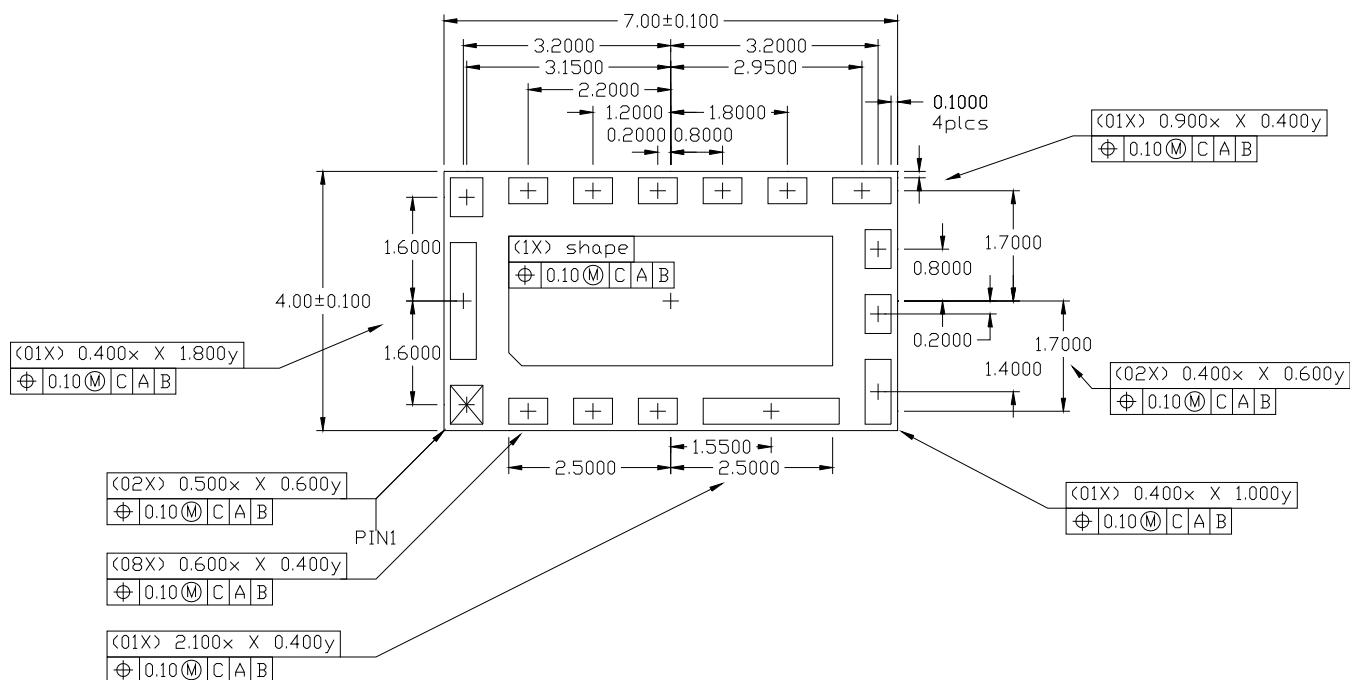


SIDE VIEW



WCDMA / HSUPA Band VIII Tritium III PA Duplexer Module™

TOP VIEW LOOKING THROUGH MODULE



WCDMA / HSUPA Band VIII Tritium III PA Duplexer Module™

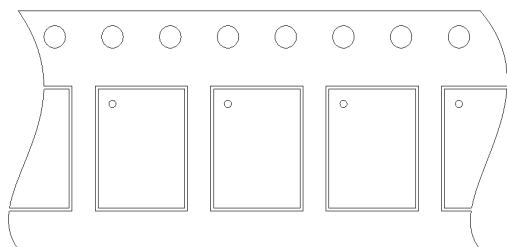
TOP MARK



- Line 1 – TriQuint + Logo
- Line 2 – Product Name
- Line 3 – Year/Wk, CCCC = Country Code (production Only)
- Line 4 – AaXXXX (Aa = Vendor, XXXX= lot #)

PIN 1 DOT – drag to proper location

Tape and Reel information

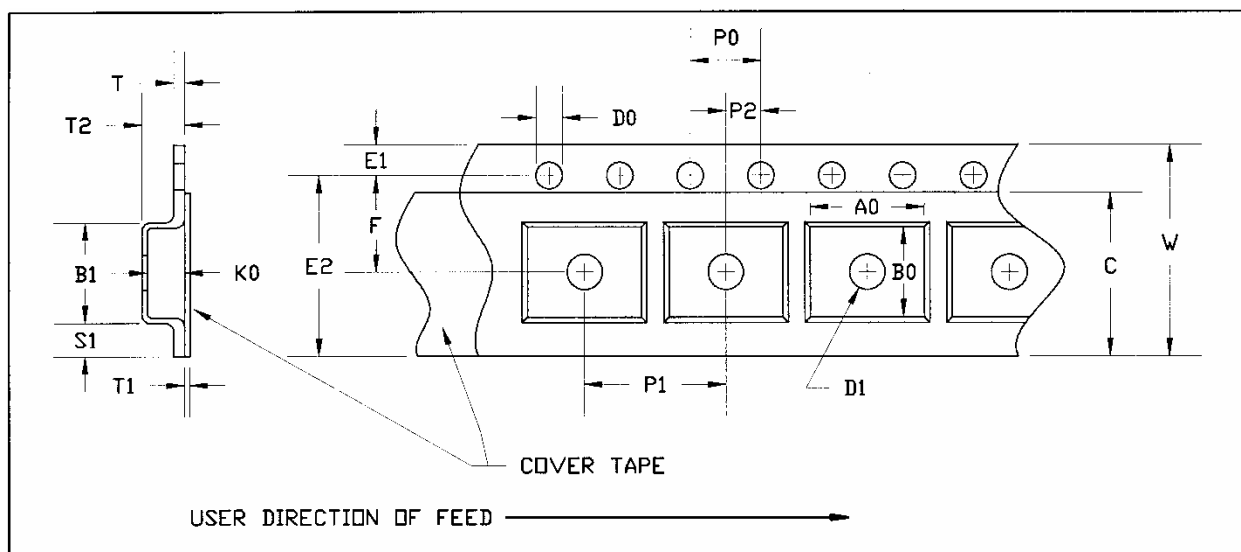


MODULE 4x7
User Direction of Feed →



WCDMA / HSUPA Band VIII Tritium III PA Duplexer Module™

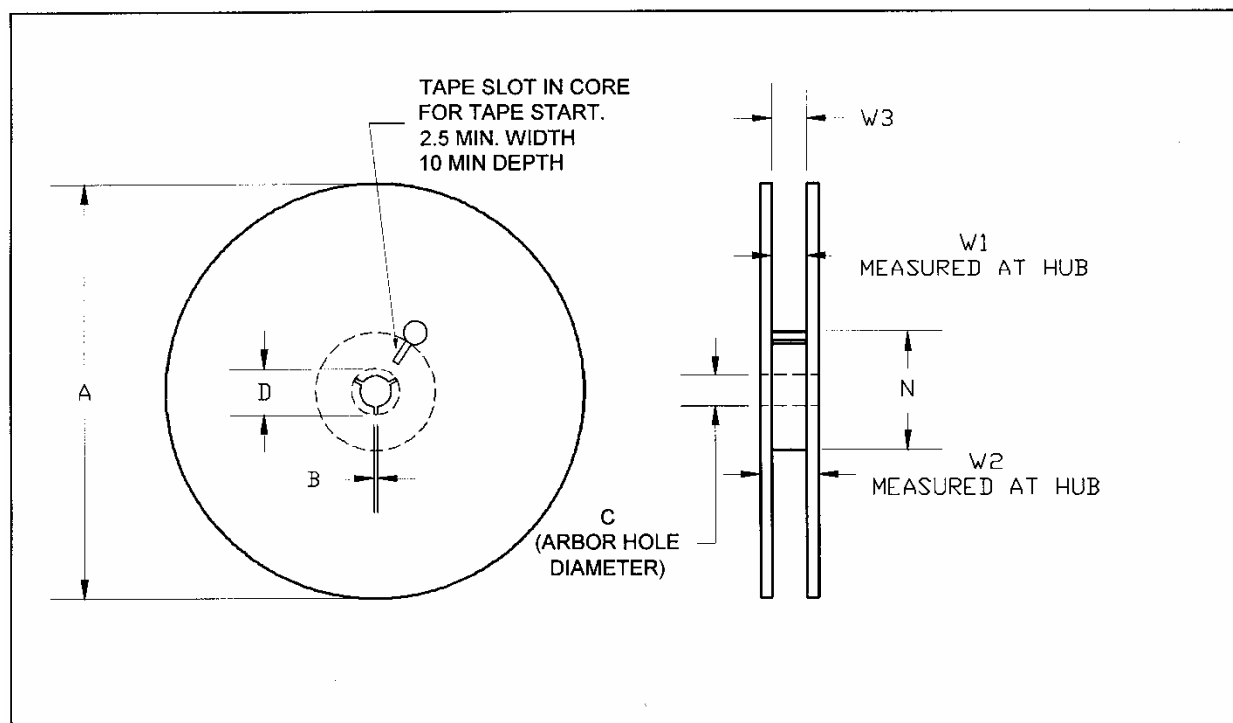
Carrier and Cover Tape Physical dimensions



PART		SYMBOL	SIZE (in)	SIZE (mm)
CAVITY	LENGTH	A0	0.179	4.55
	WIDTH	B0	0.299	7.60
	DEPTH	K0	0.068	1.73
	PITCH	P1	0.315	8.00
DISTANCE BETWEEN CENTERLINE	CAVITY TO PERFORATION LENGTH DIRECTION	P2	0.079	2.00
	CAVITY TO PERFORATION WIDTH DIRECTION	F	0.295	7.50
COVER TAPE	WIDTH	C	0.524	13.30
CARRIER TAPE	WIDTH	W	0.630	16.00

WCDMA / HSUPA Band VIII Tritium III PA Duplexer Module™

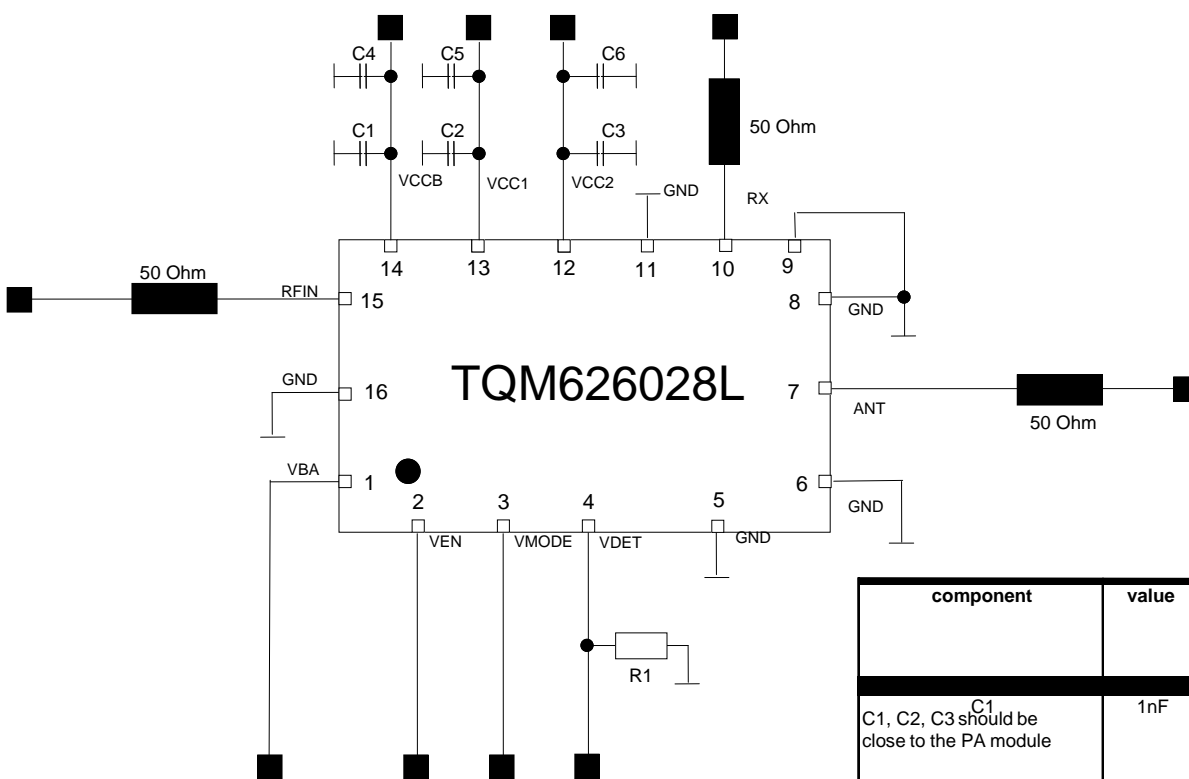
Reel Physical dimensions



Modules 4x7			13" REEL	
PART	FEATURE	SYMBOL	SIZE (in)	SIZE (mm)
FLANGE	DIAMETER	A	12.992	330.0
	THICKNESS	W2	0.874	22.2
	SPACE BETWEEN FLANGE	W1	0.661	16.8
HUB	OUTER DIAMETER	N	4.016	102.0
	ARBOR HOLE DIAMETER	C	0.512	13.0
	KEY SLIT WIDTH	B	0.079	2.0
	KEY SLIT DIAMETER	D	0.787	20.0

WCDMA / HSUPA Band VIII Tritium III PA Duplexer Module™

Application Circuit



component	value
C1, C2, C3 should be close to the PA module	1nF
C2, C3	100nF
C3, C4, C5	10 uF
R1	100k



WCDMA / HSUPA Band VIII Tritium III PA Duplexer Module™

*Additional Information*¹

This part is compliant with RoHS directive (Restrictions on the Use of Certain Hazardous Substances in Electrical and Electronic Equipment).

The part is rated Moisture Sensitivity Level 3 at 260°C per JEDEC standard IPC/JEDEC J-STD-020.

¹ For latest specifications, additional product information, worldwide sales and distribution locations, and information about TriQuint:

Web: www.triquint.com

Tel: (503) 615-9000

Email: info_wireless@tqs.com

Fax: (503) 615-8902

For technical questions and additional information on specific applications:

Email: info_wireless@tqs.com

The information provided herein is believed to be reliable; TriQuint assumes no liability for inaccuracies or omissions. TriQuint assumes no responsibility for the use of this information, and all such information shall be entirely at the user's own risk. Prices and specifications are subject to change without notice. No patent rights or licenses to any of the circuits described herein are implied or granted to any third party.

TriQuint does not authorize or warrant any TriQuint product for use in life-support devices and/or systems.

Copyright © 2006 TriQuint Semiconductor, Inc. All rights reserved

