

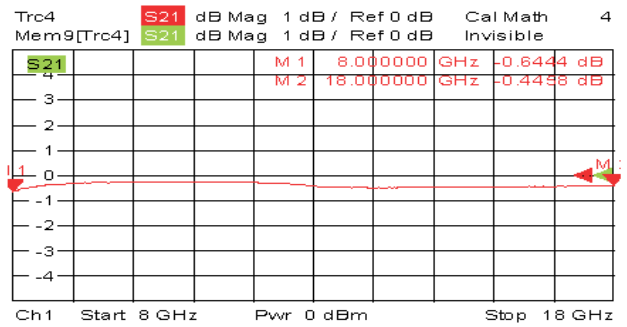
BROADBAND COAXIAL CIRCULATOR

P/N:H601

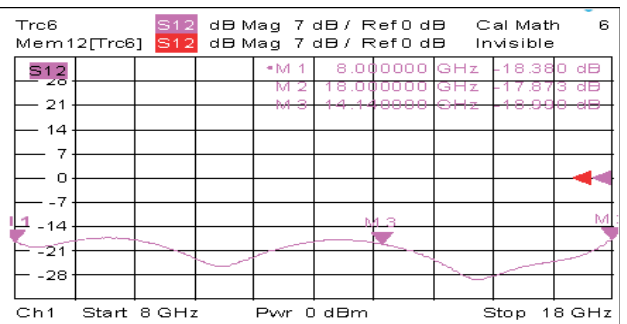


TYPICAL PLOT:

Insertion loss



Isolation



FEATURES AND APPLICATION:

- ◆ Octave or even wider Bandwidth with coaxial connectors at Input and Output Port
- ◆ Could be used in EW, Radar, Test systems and Wide Band Microwave Assemblys.

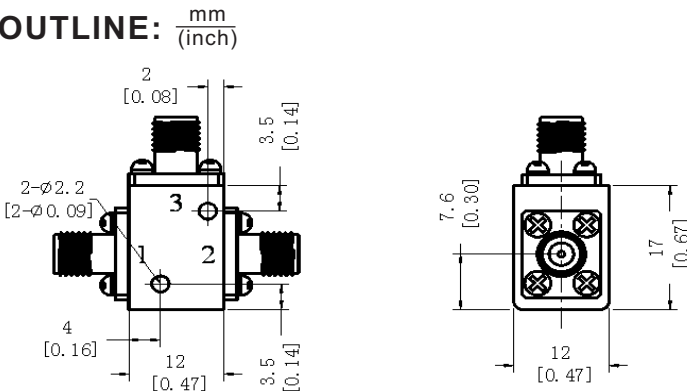
TECHNICAL SPECIFICATIONS:

Model Number	Frequency Range	Insertion Loss	VSWR	Isdation	Average Power	Transmission Direction	Connector
H601-1H	8-12GHz	0.5dB	1.3	17dB	10W	Anticlockwise	SMA-F
H601-1J	12-18GHz	0.5dB	1.3	17dB			
H601-1K	8-18GHz	1dB	1.5	14dB			

ENVIRONMENTAL PARAMETERS:

WORKING TEMPERATURE: -20~+70°C

OUTLINE:



VSWR

