

ELECTRICAL SPECIFICATIONS:

- 1.) FREQUENCY RANGE: 700 - 2700 MHz
- 2.) IMPEDANCE: 50 OHMS
- 3.) INSERTION LOSS (MAX): 1.3 dB (ABOVE 9.03 dB SPLIT)
- 4.) AMPLITUDE BALANCE (MAX): 0.5 dB
- 5.) PHASE BALANCE (MAX): 6 DEGREES
- 6.) ISOLATION (MIN): 22 dB
- 7.) INPUT VSWR (MAX): 1.35 : 1
- 8.) OUTPUT VSWR (MAX): 1.15 : 1

MECHANICAL SPECIFICATIONS:

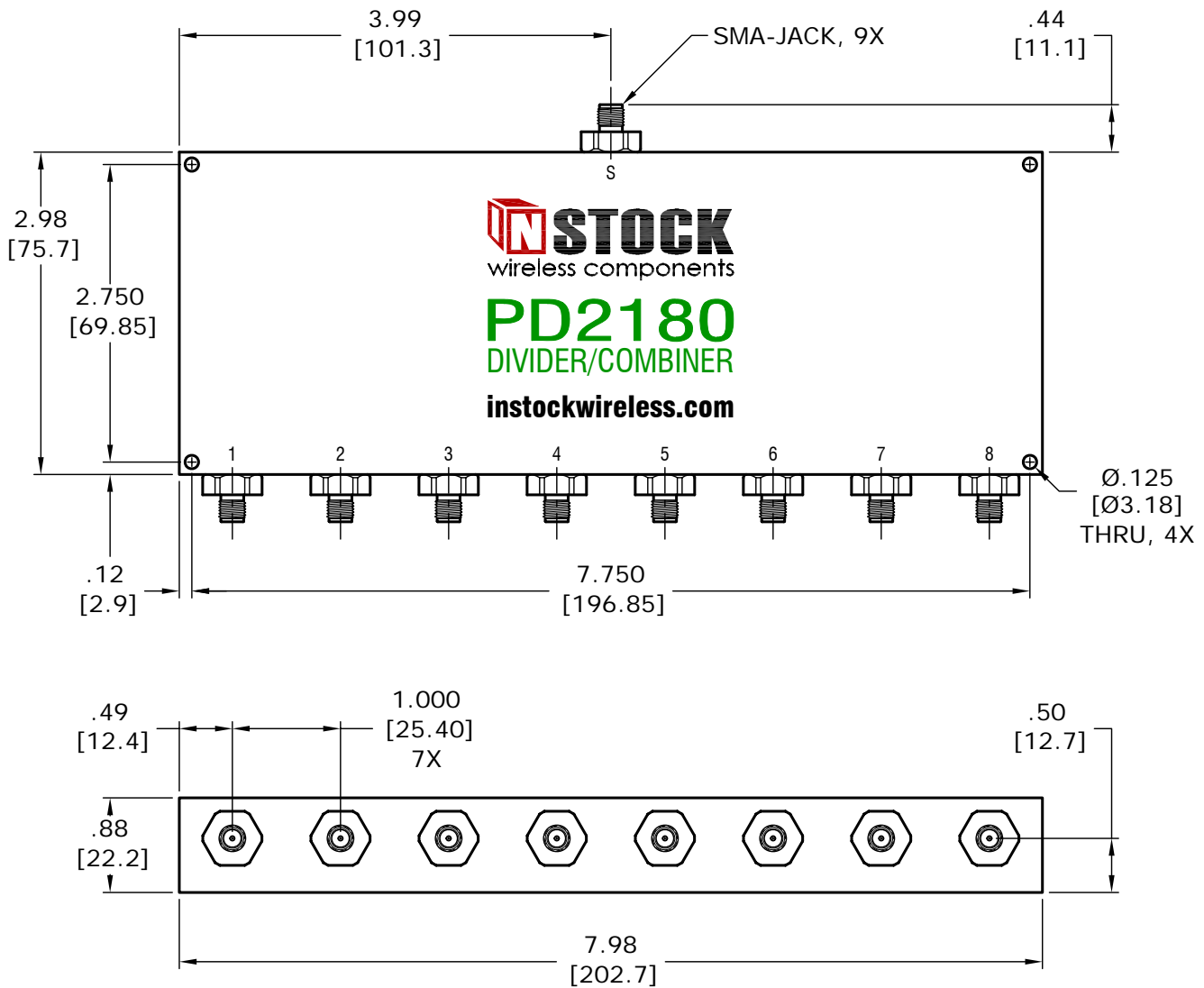
- 1.) CONNECTORS: SMA FEMALE (JACK), 50 OHM
- 2.) CONNECTOR BODY: BRASS, TRI-ALLOY PLATE
- 3.) CONNECTOR PIN: BERYLLIUM COPPER, GOLD PLATE
- 4.) INSULATOR: PTFE, VIRGIN ELECTRICAL GRADE
- 5.) HOUSING: ALUMINUM, CLEAR CHEM CONVERSION FILM, RoHS COMPLIANT (NO HEX CHROM)
- 6.) SOLDER: LEAD FREE, RoHS COMPLIANT
- 7.) OPERATING TEMP: -65°C TO +85°C
- 8.) WEIGHT: 740 GRAMS

RF INPUT POWER RATING (POWER DIVIDER SPLITTER):

INTO MATCHED LOAD VSWR's	IN-PHASE	180° OUT-OF-PHASE
1.2 : 1	40 WATTS	40 WATTS
2.0 : 1	40 WATTS	40 WATTS
∞	20 WATTS	4 WATTS

RF INPUT POWER RATING (POWER COMBINER):

COHERENT SIGNALS (IN-PHASE)	8 X 5 WATTS
COHERENT SIGNALS (180° OUT-OF-PHASE)	8 X 0.5 WATTS
NON-COHERENT SIGNALS	8 X 1 WATT
OTHER CONDITIONS - CONSULT FACTORY	



REV	DESCRIPTION	BY	DATE	TOLERANCES		MODEL NO.
				INCHES	MILLIMETERS	PD2180
				.00 = ±.01	.0 = ±.25	TITLE 8 WAY POWER DIVIDER COMBINER, SMA FEMALE, 0.7 - 2.7 GHz, 40 WATT, 50 OHM, 0 DEGREE (IN-PHASE), RoHS
				.000 = ±.004	.00 = ±.10	
				DRAWN: MJD	APPROVED: EMM	
				DATE: 03/30/07	DATE: 03/30/07	

IN STOCK
wireless components
www.instockwireless.com