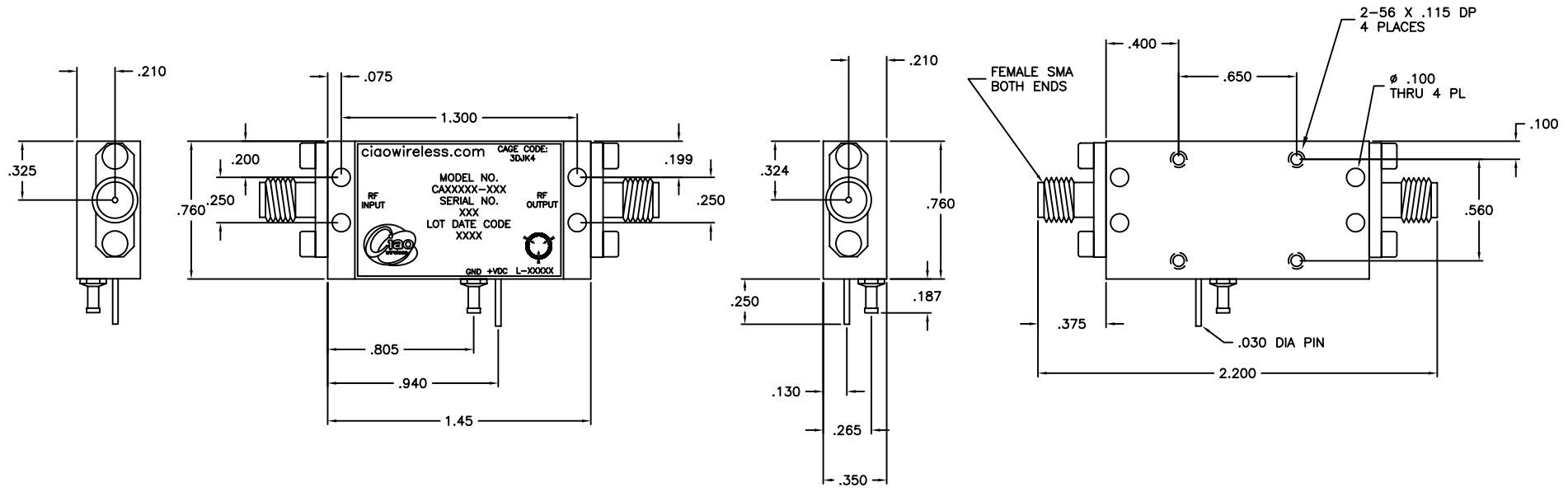


REVISIONS					
ZONE	REV	DESCRIPTION	ECO#	DATE	APPROVED
	A	RELEASED		8/12/05	D.F



ITEM NO.	QTY	PART OR IDENTIFYING NO.	NOMENCLATURE OR DESCRIPTION	MATERIAL SPECIFICATION
PARTS LIST				
UNLESS OTHERWISE SPECIFIED: DIMENSIONS ARE IN INCHES. TOLERANCES ARE:			CONTRACT NO.	
FRACTIONS DECIMALS HOLES ANGLES			APPROVALS DATE	
± 1/64 .XX ±.03 .XX ±.03 ± 0°30'			DRAWN S. BROWN 8/12/05	
MACHINED FINISH: 32 RMS REMOVE BURRS .005 MAX			CHECKED M. JUAREZ 8/12/05	
MATERIAL			MECHANICAL ENGR	
ALUMINUM 6061-T6			ELECTRICAL ENGR	
FINISH ELECTROLESS NICKEL PER MIL-C-26074 CLASS 4 GRADE B .0005 ± .0001 MAX			PRODUCT ASSURANCE L. HOWELL 8/12/05	
NEXT ASSY USED ON			PLANNING J. HARRISON 8/12/05	
APPLICATION DO NOT SCALE DRAWING			MANUFACTURING	



CIAO WIRELESS
4000 VIA PESCADOR
CAMARILLO CA, 93012

K3-S ICD AMPLIFIER

SIZE	CAGE CODE	DWG. NO.	REV.
B	3DJK4	30115	A
SCALE 1/1		SHEET 1 OF 1	

30115

A