



## Precision TNC Male to TNC Male Adapter

### TECHNICAL DATA SHEET

PE9445

#### Precision TNC Male to TNC Male Adapter

##### Configuration

Connector 1	TNC Male
Impedance 1	50 Ohms
Connector Specification 1	MIL-STD-348
Connector 2	TNC Male
Impedance 2	50 Ohms
Connector Specification 2	MIL-STD-348
Adapter Design	Precision
Body Style	Straight

##### Electrical Specifications

Frequency Range, GHz	DC to 18
Maximum VSWR	1.25:1
Maximum Insertion Loss, dB	0.3
Dielectric Withstanding Voltage, Vrms	1,500

##### Mechanical Specifications

###### Temperature

Operating Range, deg C	-55 to +150
------------------------	-------------

###### Size

Length, in [mm]	1.55 [39.37]
Width/Dia., in [mm]	0.56 [14.22]

##### Connector 1

Type	TNC Male
Inner Conductor Material and Plating	Beryllium Copper, Gold
Inner Conductor Plating Specification	50µ in. minimum
Coupling Nut Material and Plating	Passivated Stainless Steel
Coupling Nut Plating Specification	SAE-AMS-2700
Hex Size, in.	9/16
Torque, in-lbs [Nm]	14 [1.58]
Body Material and Plating	Passivated Stainless Steel
Body Plating Specification	SAE-AMS-2700
Dielectric Type	PTFE

##### Connector 2

Type	TNC Male
Inner Conductor Material and Plating	Beryllium Copper, Gold
Inner Conductor Plating Specification	50µ in. minimum
Coupling Nut Material and Plating	Passivated Stainless Steel
Coupling Nut Plating Specification	SAE-AMS-2700

Click the following link (or enter part number in "SEARCH" on website) to obtain additional part information including price, inventory and certifications: [Precision TNC Male to TNC Male Adapter PE9445](#)

The information contained in this document is accurate to the best of our knowledge and representative of the part described herein. It may be necessary to make modifications to the part and/or the documentation of the part, in order to implement improvements. Pasternack reserves the right to make such changes as required. Unless otherwise stated, all specifications are nominal.



## Precision TNC Male to TNC Male Adapter

### TECHNICAL DATA SHEET

PE9445

Hex Size, in.	9/16
Torque, in-lbs [Nm]	14 [1.58]
Body Material and Plating	Passivated Stainless Steel
Body Plating Specification	SAE-AMS-2700
Dielectric Type	PTFE

**Compliance Certifications** (visit [www.Pasternack.com](http://www.Pasternack.com) for current document)  
RoHS Compliant Yes

#### Plotted and Other Data

Notes: Values at 25 °C, sea level

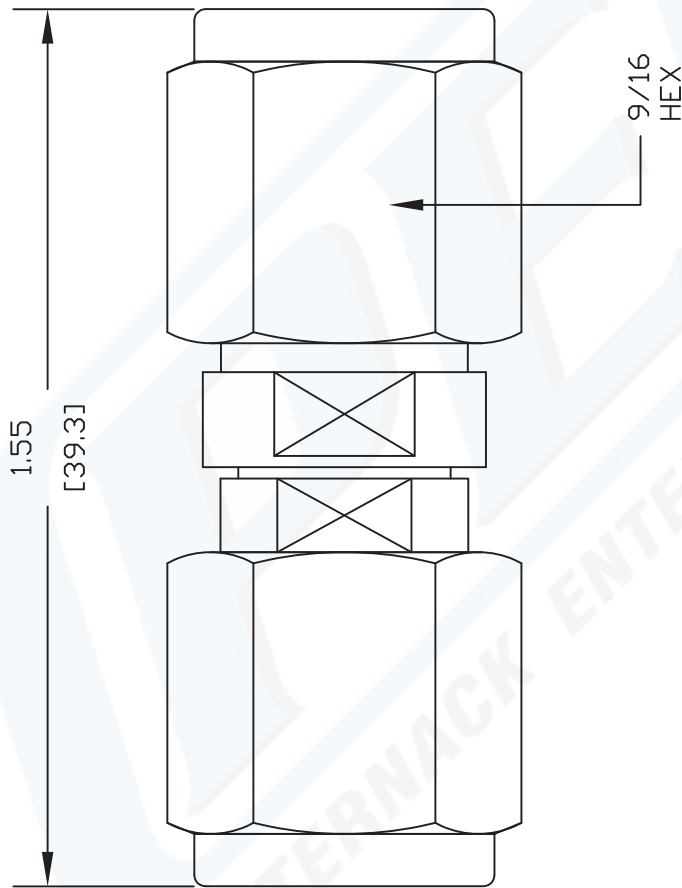
URL: <http://www.pasternack.com/tnc-male-tnc-male-straight-adapter-pe9445-p.aspx>

Precision TNC Male to TNC Male Adapter from Pasternack Enterprises has same day shipment for domestic and International orders. Our RF, microwave and fiber optic products maintain a 99% availability and are part of the broadest selection in the industry.

The information contained in this document is accurate to the best of our knowledge and representative of the part described herein. It may be necessary to make modifications to the part and/or the documentation of the part, in order to implement improvements. Pasternack reserves the right to make such changes as required. Unless otherwise stated, all specifications are nominal.

# PE9445 CAD Drawing

## Precision TNC Male to TNC Male Adapter



DWG TITLE

**PE9445**

NOTES:  
 1. UNLESS OTHERWISE SPECIFIED ALL DIMENSIONS ARE NOMINAL.  
 2. ALL SPECIFICATIONS ARE SUBJECT TO CHANGE WITHOUT NOTICE AT ANY TIME.  
 3. DIMENSIONS ARE IN INCHES [mm].

REV A

FSCM NO. 53919

CAD FILE 010611

SCALE N/A

SIZE A

127

**PASTERNAK ENTERPRISES, INC.**

P.O. BOX 16759, IRVINE, CA 92623  
 PHONE (949) 261-1920 FAX (949) 261-7451

WEB ADDRESS: [www.pasternack.com](http://www.pasternack.com)  
 E-MAIL ADDRESS: [sales@pasternack.com](mailto:sales@pasternack.com)

**COAXIAL & FIBER OPTICS**

