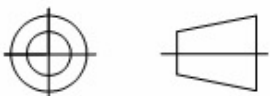
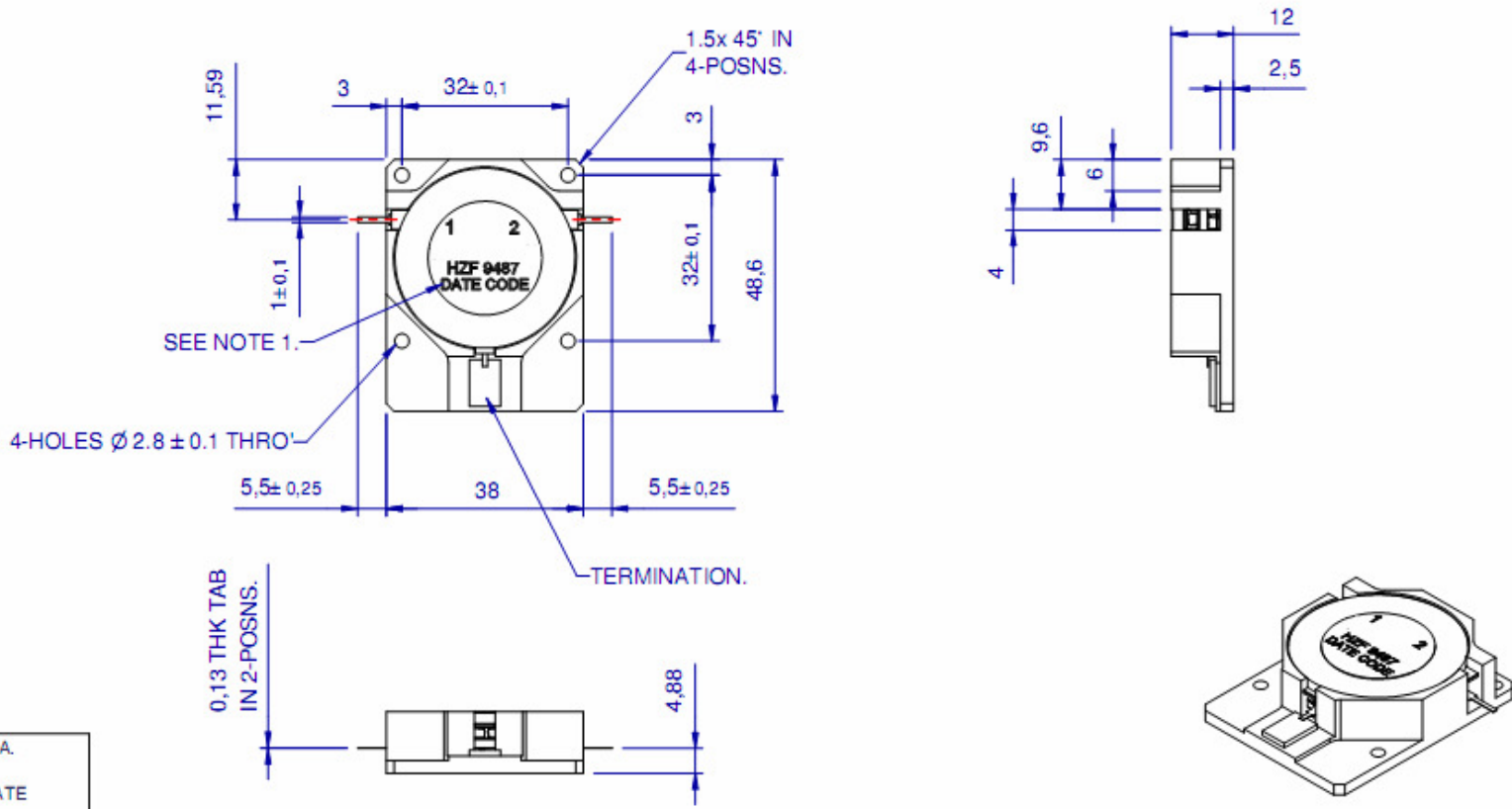


SERVICE DRAWING NUMBER		3rd ANGLE PROJECTION		THIS DRAWING IS MESL MICROWAVE PROPERTY IT MAY NOT BE COPIED OR EXHIBITED WITHOUT WRITTEN PERMISSION		MESL MICROWAVE	
SECURITY CLASSIFICATION		DRAWING TO BE READ IN CONJUNCTION WITH BS 8888					



Q.A.
DATE
PROD.REL.
DATE
ENG.APP.
DATE
MECH. ENG.
DATE
DRAWN AB.
DATE

ORIGINAL SCALE	2/1	MATERIAL	SPECIFICATION
DO NOT SCALE PRINT		FINISH	BRIGHT NICKEL PLATED.
DIMENSION IN	mm	BODY :	DEF STAN 03-10.
CERTIFIED AT ISSUE			

REF	DESCRIPTION	No OFF	CHAR.	POS.TOL.	ISSUE	DATE	MOD NUMBER	
	RED (Development Only)							A 3
	MESL MICROWAVE				SECURITY CLASSIFICATION			
	RESPONSIBLE AUTHORITY				CONTRACTORS DRAWING NUMBER			
	TITLE OUTLINE DRG. FOR PACK. DROP-IN ISOLATOR TYPE No. HZF 9487				9487-000-OL			
	FINISH TO BE ± 0.25				SERVICE DRAWING NUMBER			
	UNLESS OTHERWISE STATED				SHEET No 1 OFF 1			

A	25/6/03	DRN 4998