

Passband 1: DC to 260 MHz

Passband 2: 350 to 1000 MHz

Diplexer (LP/HP) WDG6+5-DC-260/350-1000-40

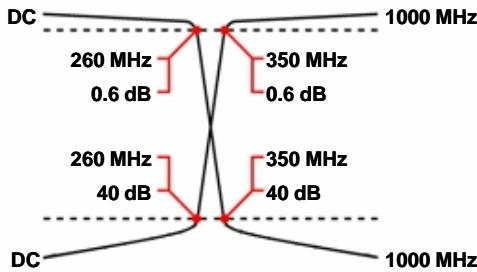
Passband 1 Isolation: 40 dB

Passband 2 Isolation: 40 dB

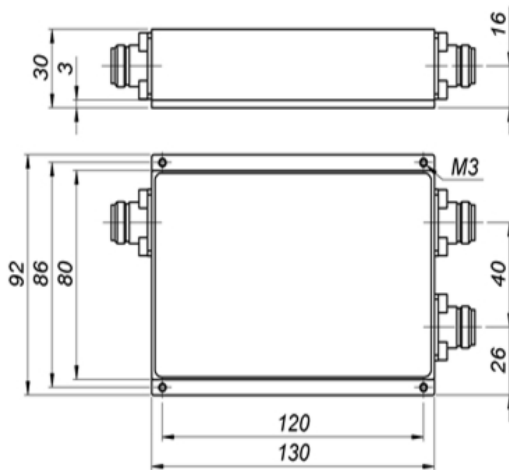
Specifications

| | Band 1 (Lowpass) | Band 2 (Highpass) |
|--------------------------|---|-------------------|
| Passbands: | DC to 260 MHz | 350 to 1000 MHz |
| Passband Insertion Loss: | 0.6 dB max. | 0.6 dB max. |
| Passband Return Loss: | 17 dB min. | 17 dB min. |
| Stopbands: | 350-1000 MHz | DC-260 MHz |
| Stopband Attenuation: | 40 dB min. | 40 dB min. |
| Operating Temperature: | 15 °C to 45 °C | |
| Power Handling: | max. 300 W CW into a 2:1 VSWR (<i>Please see our warranty in this regard</i>) | |
| Dimensions (L x W x H): | 130 x 80 x 30 mm (plus connectors and flanges) | |
| Approx. Weight: | 0.65 kg | |
| Mounting Provision: | 6 mm flanges on both ends | |
| Connector Common: | - Please choose - | |
| Connector Band 1: | - Please choose - | |
| Connector Band 2: | - Please choose - | |

Typical Performance



6+5 Section LC Design



©2015 Wainwright Instruments. All rights reserved.

Euro Prices

(USD Prices will be quoted for US-based customers only)

| | |
|--------------|--------|
| 1 - 4 pcs: | € 1386 |
| 5 - 9 pcs: | € 1247 |
| 10 - 24 pcs: | € 1123 |

Delivery Terms

FCA Andechs (free carrier) according to **Incoterms 2010**
 In Deutschland liefern wir frachtfrei gemäß CPT **Incoterms 2010** (unversichert).
 Regarding payment terms and warranty see [Terms and Conditions](#).
Delivery time: normally 3 to 4 weeks - depending on quantity ordered and on our work load.

Customer is responsible for observing all applicable export laws in regard to filter application and location of end user



Wainwright Instruments GmbH
 www.wainwright-filters.com

Tel: +49 8152 918230
 Fax: +49 8152 918255
 info@wainwright-filters.com