



**SMA Female Bulkhead Connector Crimp/Solder  
Attachment For RG59, RG62, RG71, .235 inch D Hole**

**TECHNICAL DATA SHEET**

**PE4914**

**SMA Female Bulkhead Connector Crimp/Solder Attachment For RG59, RG62, RG71, .235 inch D Hole**

**Configuration**

Connector	SMA Female
Connector Interface Type	RG59, RG62, RG71
Cable Attachment Method (Shield/Contact)	Crimp/Solder
Body Style	Straight
Mount Method	Bulkhead

**Electrical Specifications**

Impedance, Ohms	50
-----------------	----

**Mechanical Specifications**

**Size**

Length, in [mm]	1.075 [27.31]
Width/Dia., in [mm]	0.438 [11.13]
Weight, lbs [g]	0.013 [5.9]

**Connector**

Type	SMA Female
Contact Material and Plating	Gold
Body Material and Plating	Brass, Nickel
Dielectric Type	PTFE

**Compliance Certifications** (visit [www.Pasternack.com](http://www.Pasternack.com) for current document)

RoHS Compliant	Yes
----------------	-----

**Plotted and Other Data**

Notes:	Values at 25 °C, sea level
--------	----------------------------

SMA Female Bulkhead Connector Crimp/Solder Attachment For RG59, RG62, RG71, .235 inch D Hole from Pasternack Enterprises has same day shipment for domestic and International orders. Our RF, microwave and fiber optic products maintain a 99% availability and are part of the broadest selection in the industry.

Click the following link (or enter part number in "SEARCH" on website) to obtain additional part information including price, inventory and certifications: [SMA Female Bulkhead Connector Crimp/Solder Attachment For RG59, RG62, RG71, .235 inch D Hole PE4914](http://www.pasternack.com/sma-female-standard-rg59-rg62-connector-pe4914-p.aspx)

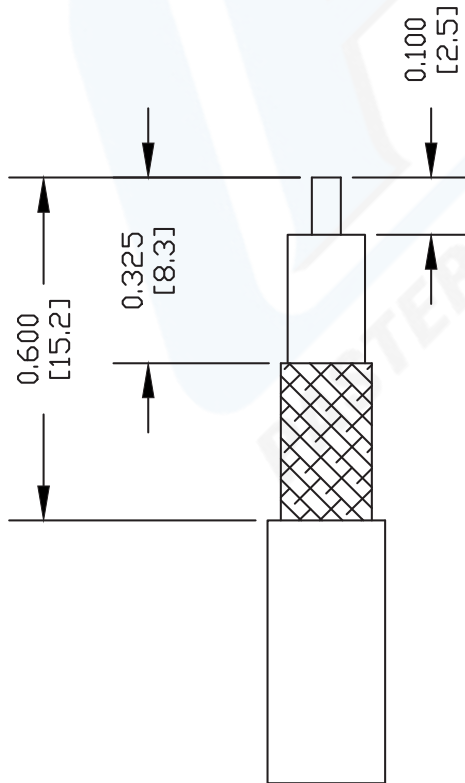
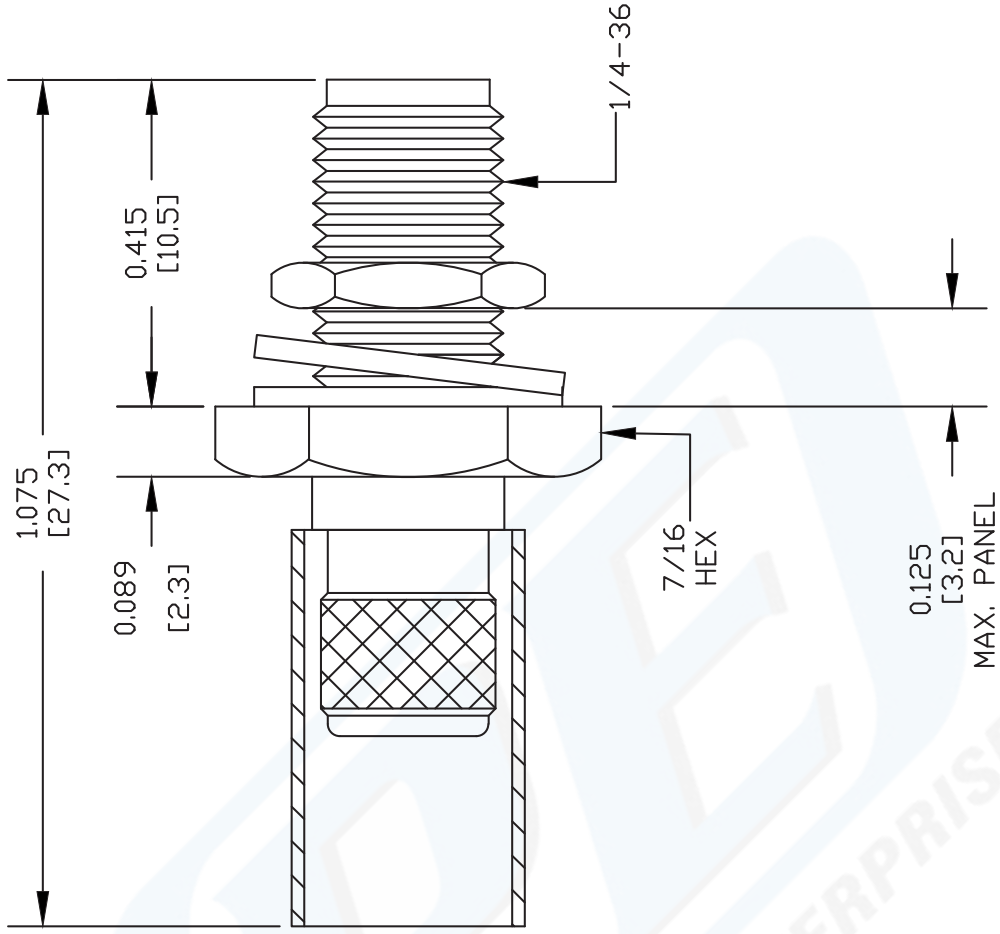
URL: <http://www.pasternack.com/sma-female-standard-rg59-rg62-connector-pe4914-p.aspx>

The information contained in this document is accurate to the best of our knowledge and representative of the part described herein. It may be necessary to make modifications to the part and/or the documentation of the part, in order to implement improvements. Pasternack reserves the right to make such changes as required. Unless otherwise stated, all specifications are nominal.



# PE4914 CAD Drawing

SMA Female Bulkhead Connector Crimp/Solder Attachment  
For RG59, RG62, RG71, .235 inch D Hole



## STRIPPING DIMENSIONS

### CRIMP SIZE REQUIRED

CONTACT: SOLDER  
FERRULE: .255" HEX CRIMP TOOL

DWG TITLE

**PE4914**

- NOTES:
1. UNLESS OTHERWISE SPECIFIED ALL DIMENSIONS ARE NOMINAL.
  2. ALL SPECIFICATIONS ARE SUBJECT TO CHANGE WITHOUT NOTICE AT ANY TIME.
  3. DIMENSIONS ARE IN INCHES [mm].
  4. FITS MIL-C-17 AND EQUIVALENT CABLES.

FSCM NO. 53919

CAD FILE 062402

SCALE N/A

SIZE A

127

**PE PASTERNAK®**  
Pasternack Enterprises, Inc.  
P.O. Box 16759 | Irvine | CA | 92623  
Phone: (949) 261-1920 | Fax: (949) 261-7451  
Website: www.pasternack.com | E-Mail: sales@pasternack.com