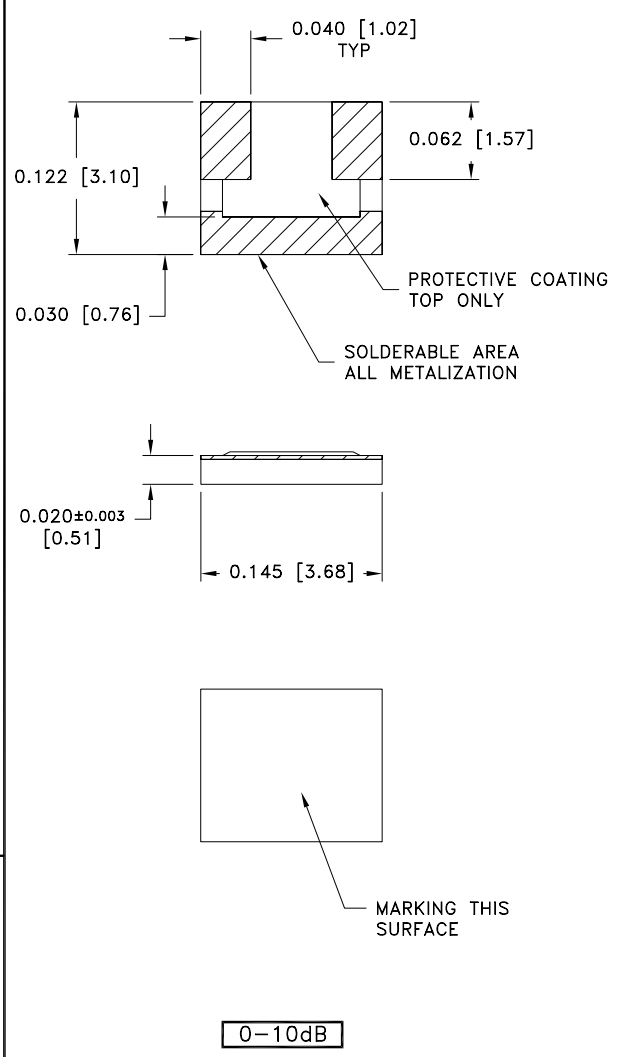
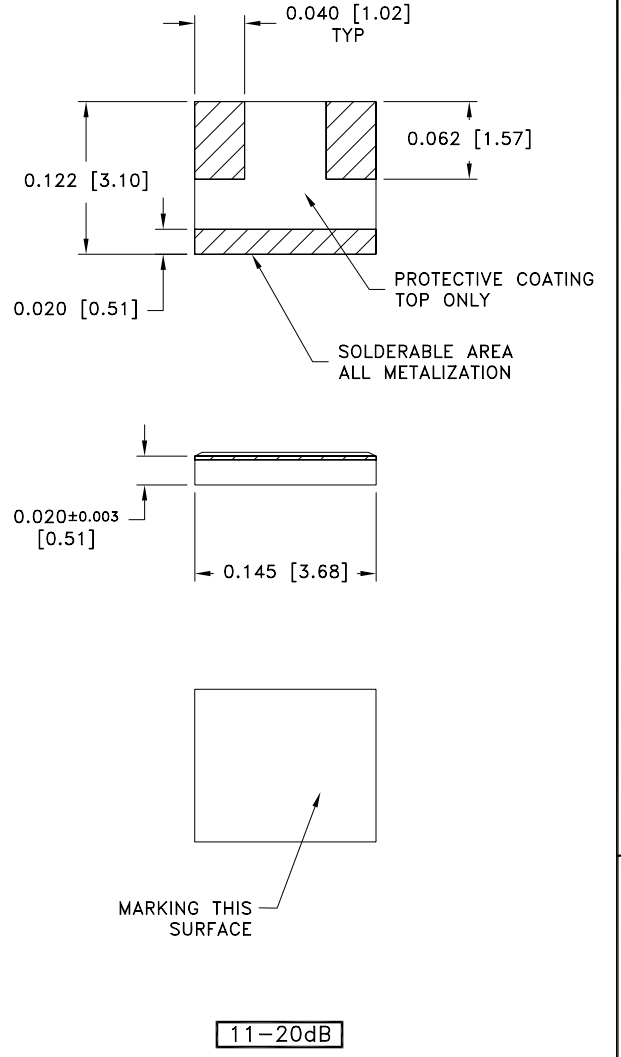




PART ID REF
TS03XX



0-10dB



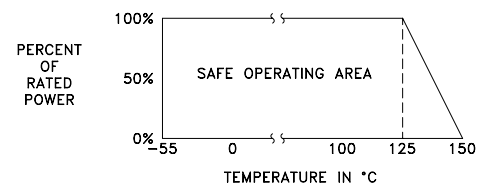
11-20dB

**MECHANICAL SPECIFICATIONS:**

SUBSTRATE:  
 MATERIAL - ALUMINA 96%, MIL-I-10.  
 TERMINAL:  
 MATERIAL - THICK FILM, NICKEL BARRIER,  
 SOLDER COATED.  
 RESISTIVE ELEMENT:  
 MATERIAL - THIN FILM, TANTALUM NITRIDE.

METRIC EQUIVALENTS GIVEN IN [mm]  
 FOR REFERENCE INFORMATION ONLY

**POWER RATING AND DERATING**



8851 SW OLD KANSAS AVE  
 STUART, FL 34997  
 PHONE NO. (772)286-9300  
 FAX NO. (772)283-5286

UNLESS OTHERWISE SPECIFIED DIMENSIONS ARE IN INCHES	
TOLERANCES	
FRACT	---
ANG	---
XX	---
XXX	±0.005
XXXX	---

THESE DRAWINGS AND SPECIFICATIONS ARE THE PROPERTY OF EMC TECHNOLOGY INC AND SHALL NOT BE DUPLICATED OR USED AS BASIS FOR THE MANUFACTURE OR SALE OF PARTS OR DEVICES WITHOUT PERMISSION.

CAGE CODE	SCALE	DRAWN BY	CHECKED BY	APPROVED BY
24602	10:1	CME 09/25/2001		FJV 9/28/01
REV	CHANGE NOTICE	DRAWING NO	SHEET	
L	EN 10-0911	1000435000	2 OF 2	