



SMA Male Connector Clamp/Solder Attachment For PE-P195

TECHNICAL DATA SHEET

PE4085

SMA Male Connector Clamp/Solder Attachment For PE-P195

Configuration

Connector	SMA Male
Connector Specification	MIL-C-39012
Connector Interface Type	PE-P195
Cable Attachment Method (Shield/Contact)	Clamp/Solder
Body Style	Straight

Electrical Specifications

Impedance, Ohms	50
-----------------	----

Mechanical Specifications

Temperature

Operating Range, deg C	-65 to +165
------------------------	-------------

Size

Length, in [mm]	1.34 [34.04]
Width/Dia., in [mm]	0.375 [9.53]
Weight, lbs [g]	0.013 [5.9]

Connector

Type	SMA Male
Contact Material and Plating	Brass, Gold
Contact Plating Specification	MIL-G-45204
Coupling Nut Material and Plating	Brass, Nickel
Hex Size, Inch	5/16
Torque, in-lbs [Nm]	5 [0.57]
Body Material and Plating	Passivated Stainless Steel
Body Plating Specification	QQ-P-35
Dielectric Type	Teflon

Compliance Certifications (visit www.Pasternack.com for current document)

RoHS Compliant	Yes
----------------	-----

Click the following link (or enter part number in "SEARCH" on website) to obtain additional part information including price, inventory and certifications: [SMA Male Connector Clamp/Solder Attachment For PE-P195 PE4085](#)

The information contained in this document is accurate to the best of our knowledge and representative of the part described herein. It may be necessary to make modifications to the part and/or the documentation of the part, in order to implement improvements. Pasternack reserves the right to make such changes as required. Unless otherwise stated, all specifications are nominal.



SMA Male Connector Clamp/Solder Attachment For PE-P195

TECHNICAL DATA SHEET

PE4085

Plotted and Other Data

Notes:

Values at 25 °C, sea level

SMA Male Connector Clamp/Solder Attachment For PE-P195 from Pasternack Enterprises has same day shipment for domestic and International orders. Our RF, microwave and fiber optic products maintain a 99% availability and are part of the broadest selection in the industry.

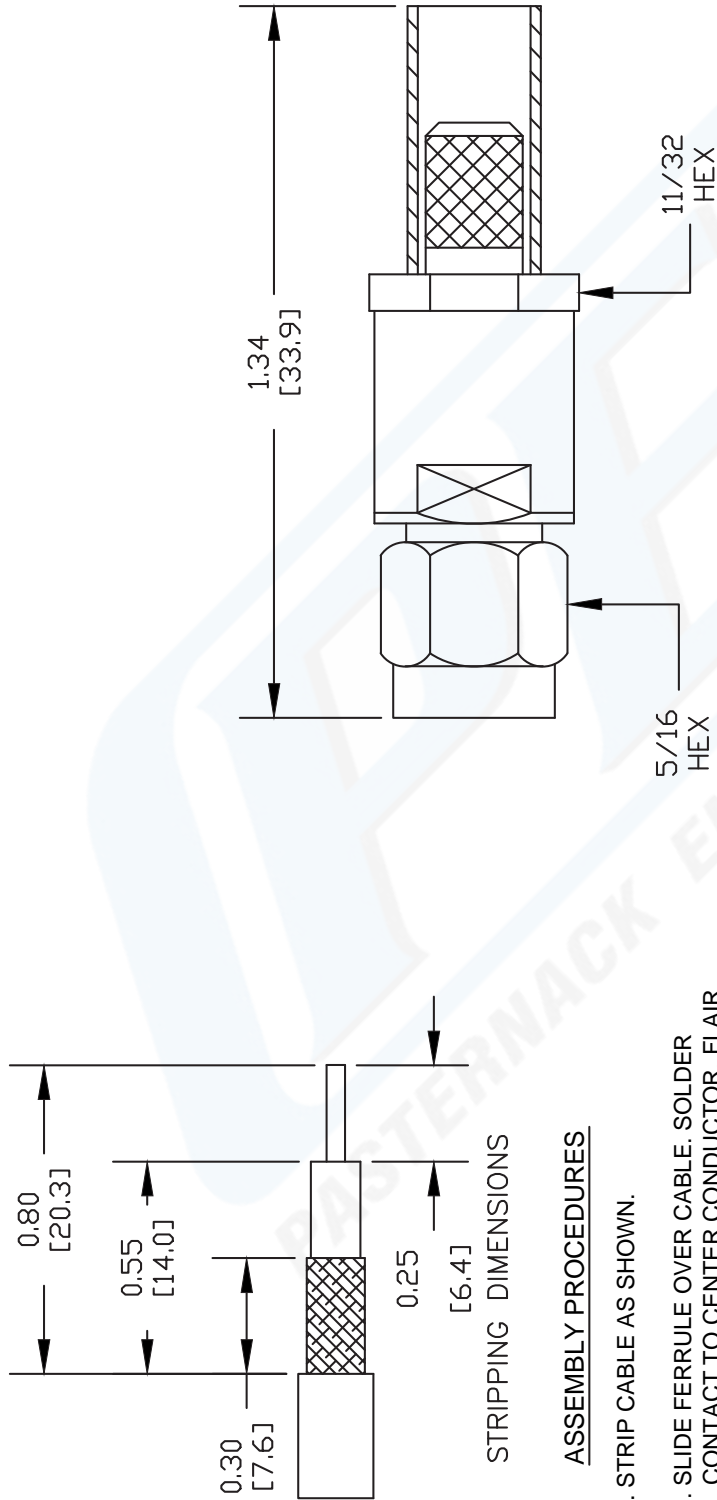
Click the following link (or enter part number in "SEARCH" on website) to obtain additional part information including price, inventory and certifications: [SMA Male Connector Clamp/Solder Attachment For PE-P195 PE4085](#)

URL: <http://www.pasternack.com/sma-male-standard-pe-p195-connector-pe4085-p.aspx>

The information contained in this document is accurate to the best of our knowledge and representative of the part described herein. It may be necessary to make modifications to the part and/or the documentation of the part, in order to implement improvements. Pasternack reserves the right to make such changes as required. Unless otherwise stated, all specifications are nominal.

PE4085 CAD Drawing

SMA Male Connector Clamp/Solder Attachment For PE-P195



STRIPPING DIMENSIONS

ASSEMBLY PROCEDURES

1. STRIP CABLE AS SHOWN.
2. SLIDE FERRULE OVER CABLE. SOLDER CONTACT TO CENTER CONDUCTOR. FLAIR BRAID. SLIDE EXTENSION BETWEEN BRAID &
3. INSERT CABLE ASSEMBLY INTO BODY & TIGHTEN. CRIMP FERRULE.

CRIMP SIZE REQUIRED

FERRULE: .255" HEX CRIMP TOOL



PASTERNAK
Pasternack Enterprises, Inc.
P.O. Box 16759 | Irvine | CA | 92623
Phone: (949) 261-1920 | Fax: (949) 261-7451
Website: www.pasternack.com | E-Mail: sales@pasternack.com

DWG TITLE

PE4085

NOTES:
1. UNLESS OTHERWISE SPECIFIED ALL DIMENSIONS ARE NOMINAL.
2. ALL SPECIFICATIONS ARE SUBJECT TO CHANGE WITHOUT NOTICE AT ANY TIME.
3. DIMENSIONS ARE IN INCHES [mm].
4. FITS MIL-C-17 AND EQUIVALENT CABLES.

REV. A

FSCM NO. 53919

CAD FILE 082310

SCALE N/A

SIZE A

127