

# DC BLOCKING CONNECTORS

2.4mm, 7 kHz - 45 GHz, 25 Volts

## SPECIFICATIONS:

Models: 8537EF, 8537EM

**RoHS**  
Compliant

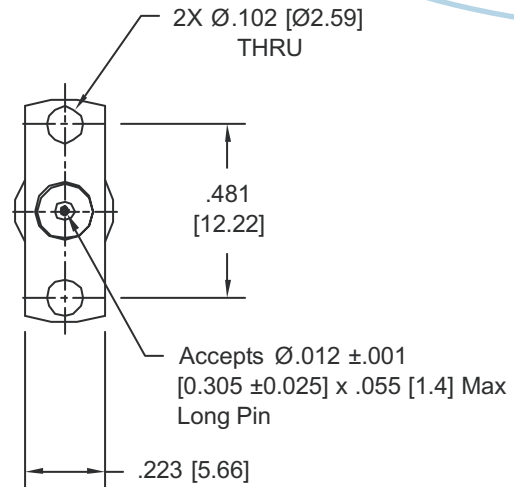
**AEROFLEX**  
A passion for performance.

### Electrical:

Frequency Range \_\_\_\_\_ 7 KHz - 45 GHz  
 Insertion Loss  
 100 KHz - 12.4 GHz \_\_\_\_\_ 0.50 dB Max.  
 12.4 - 32 GHz \_\_\_\_\_ 0.75 dB Max.  
 32 - 40 GHz \_\_\_\_\_ 1.00 dB Goal (1.25 dB Max.)  
 VSWR  
 100 - 250 KHz \_\_\_\_\_ <1.40:1 Typical  
 250 KHz - 32 GHz \_\_\_\_\_ 1.40:1 Max.  
 32 - 40 GHz \_\_\_\_\_ 1.50:1 Max.  
 Impedance \_\_\_\_\_ 50 Ohms  
 Working Voltage \_\_\_\_\_ 25 Volts Max.  
 Bandwidth (-3 dB) \_\_\_\_\_ <7 KHz to >45 GHz  
 Operating Temp Range \_\_\_\_\_ -20°C to +85°C  
 Minimum Capacitance over Temperature \_\_\_\_\_ 70kpf

### Mechanical:

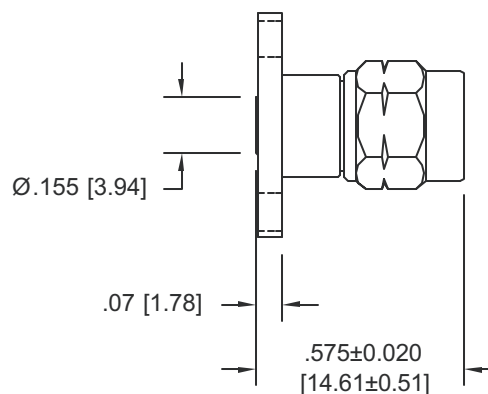
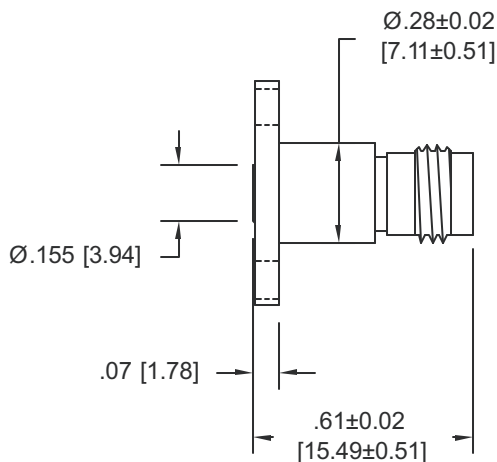
2.4mm Connectors \_\_\_\_\_ Passivated Stainless Steel  
 Conductors \_\_\_\_\_ Gold Plated Beryllium Copper



2-HOLE FLANGE  
DETAIL - TYPICAL

Model Number: **8537EF**  
2.4mm FEMALE

Model Number: **8537EM**  
2.4mm MALE



Mounting Surface Should be Flat per Inmet Application note APPN-1010 and when Tightening Please Follow Method Outlined therein for Proper High Frequency Performance.

Note: Dimensions in Brackets are Expressed in Millimeters and are for Reference Only.

8537E: REV C

**AEROFLEX**  
INMET

Aeroflex / Inmet, Inc. • 300 Dino Drive, Ann Arbor, MI 48103 • U.S.A.  
 888-244-6638 or 734-426-5553 • FAX: 734-426-5557  
 www.aeroflex.com/inmet • inmet@aeroflex.com