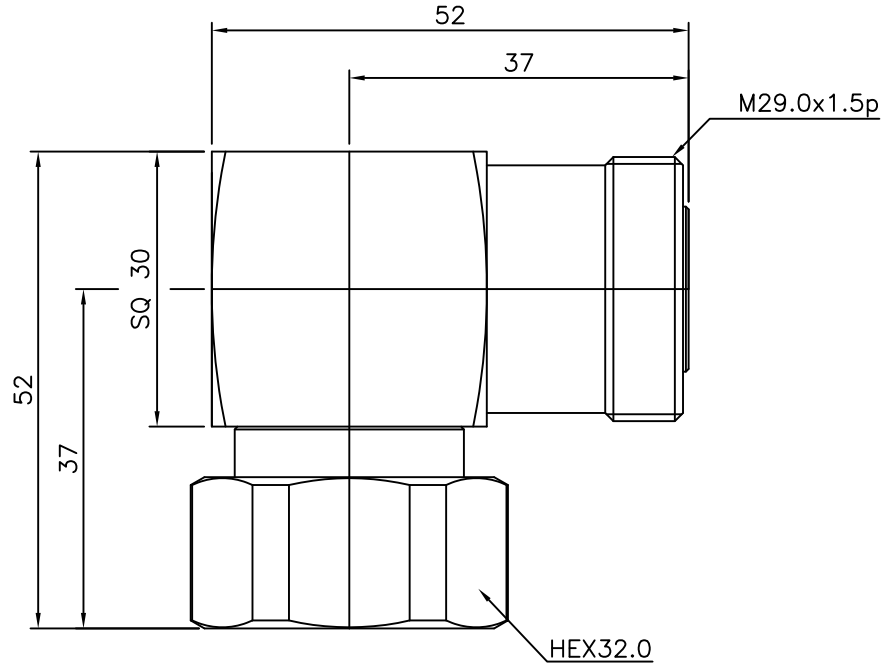


1 2 3 4 5 6

No.	Revision	Date	Name
△			
△			

RoHS Compliant



Environmental data

Frequency range : DC ~ 4GHz
 V.S.W.R : 1.20 : 1 Max
 PIMD : 165 dBc min(2x20W)
 Operating Temperature : -45°C ~ 120°C

Connector parts	Materials	Finish
Body	Brass	Suco Plated
Coupling cap	Brass	Suco Plated
Center contact	Brass	Silver Plated
Insulator	Be-cu	Silver Plated
	TFFLON	-

DIN TYPE(M) RIGHT ANGLE TO
 DIN TYPE(F) ADAPTOR

NO.	DESCRIPTION	Q'TY	MATERIAL	FINISH	REMARKS.
PARTS No.	ADP-3000-373-LP		NAME DIN TYPE(M) RA TO DIN-TYPE(F) ADAP		APPROVED K.Y
MATERIAL	Brass	FINISH	Suco		TOLERANCES OTHERWISE SPEC. ±0.05 ANGLES ±1°
SCALE		UNIT	mm		CHECKED M.K
DWG NO.		ADP-3000-373-LP		DESIGNED S.J	
				DATE. 3/24/14	

CUSTOMER

