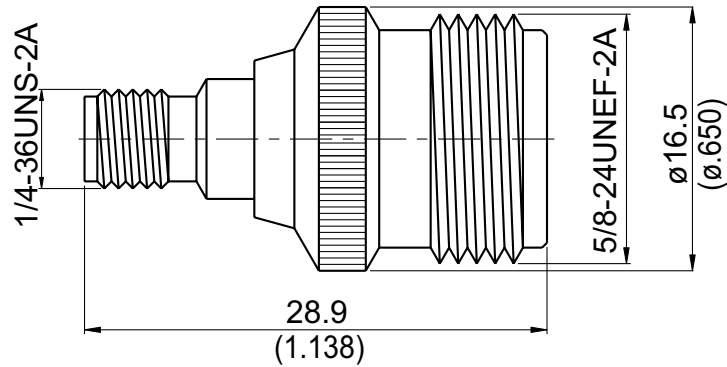


AD-A8N9

SMA Jack To N Reverse Polarity Jack 50Ω



Typical VSWR

Part Number	1~2 GHz	3~6 GHz	7 GHz	8 GHz
AD-A8N9	1.06	1.12	1.26	1.23

Parts	Material	Plating (Micro-inch)
Center Pin	Beryllium Copper	Gold 10 Over Nickel 50 Over Copper 50
Insulator	Teflon	
Body(SMA)	Brass	Gold 5 Over Nickel 50 Over Copper 50
Body(N)	Brass	Tin-Zinc-Copper-Alloy 100 Over Copper 50

Weight: 20.05 g

This part number complies with RoHS.

Notice: JYEBAO reserves the right to make modifications deemed appropriate.