



**TECHNICAL DATA SHEET**

**PE9789**

**N Male to QN Female Adapter**

**Configuration**

Connector 1	N Male
Impedance 1	50 Ohms
Connector Specification 1	MIL-PRF-39012
Connector 2	QN Female
Impedance 2	50 Ohms
Adapter Design	Standard
Body Style	Straight

**Electrical Specifications**

Frequency Range, GHz	DC to 11
Maximum Insertion Loss, dB	0.17
Maximum Operating Voltage, Volts	1,000
Dielectric Withstanding Voltage, Vrms	2,500

**Frequency 1**

Frequency, GHz	DC to 3
VSWR	1.07:1
Return Loss, dB	30
Insertion Loss, dB	0.086

**Frequency 2**

Frequency, GHz	3 to 6
VSWR	1.12:1
Return Loss, dB	25
Insertion Loss, dB	0.12

**Mechanical Specifications**

**Temperature**

Operating Range, deg C	-40 to +125
------------------------	-------------

**Size**

Length, in [mm]	1.3 [33.02]
Width/Dia., in [mm]	0.83 [21.08]

**Connector 1**

Type	N Male
Mating Cycles	500
Inner Conductor Material and Plating	Spring Bronze, Gold
Coupling Nut Material and Plating	Brass, Tri-Metal
Hex Size, mm	18
Torque, in-lbs [Nm]	10 [1.13]

Click the following link (or enter part number in "SEARCH" on website) to obtain additional part information including price, inventory and certifications: [N Male to QN Female Adapter PE9789](#)

The information contained in this document is accurate to the best of our knowledge and representative of the part described herein. It may be necessary to make modifications to the part and/or the documentation of the part, in order to implement improvements. Pasternack reserves the right to make such changes as required. Unless otherwise stated, all specifications are nominal.



N Male to QN Female Adapter



**TECHNICAL DATA SHEET**

**PE9789**

Body Material and Plating  
Dielectric Type

Brass, Tri-Metal  
PTFE

**Connector 2**

Type  
Mating Cycles  
Inner Conductor Material and Plating  
Body Material and Plating  
Dielectric Type

QN Female  
100  
Spring Bronze, Gold  
Brass, Tri-Metal  
PTFE

**Compliance Certifications** (visit [www.Pasternack.com](http://www.Pasternack.com) for current document)

RoHS Compliant

Yes

**Plotted and Other Data**

Notes:

Values at 25 °C, sea level

N Male to QN Female Adapter from Pasternack Enterprises has same day shipment for domestic and International orders. Our RF, microwave and fiber optic products maintain a 99% availability and are part of the broadest selection in the industry.

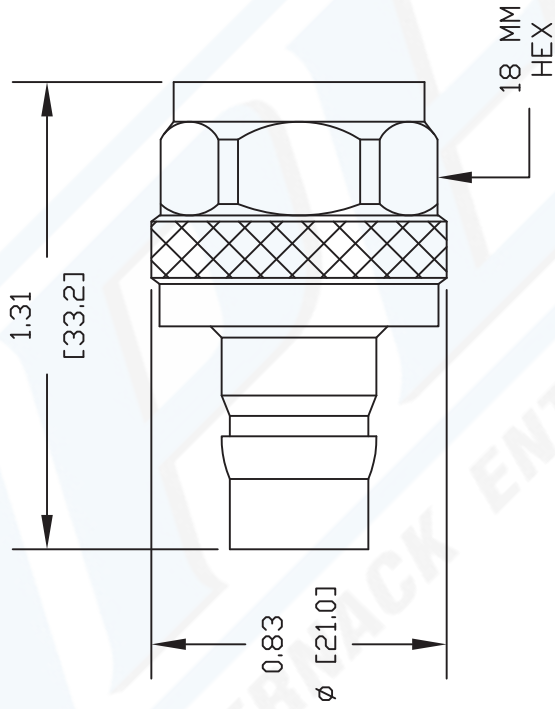
Click the following link (or enter part number in "SEARCH" on website) to obtain additional part information including price, inventory and certifications: [N Male to QN Female Adapter PE9789](#)

URL: <http://www.pasternack.com/n-male-qn-female-straight-adapter-pe9789-p.aspx>

The information contained in this document is accurate to the best of our knowledge and representative of the part described herein. It may be necessary to make modifications to the part and/or the documentation of the part, in order to implement improvements. Pasternack reserves the right to make such changes as required. Unless otherwise stated, all specifications are nominal.



**PE9789 CAD Drawing**  
N Male to QN Female Adapter



DWG TITLE

**PE9789**

NOTES:  
1. UNLESS OTHERWISE SPECIFIED ALL DIMENSIONS ARE NOMINAL.  
2. ALL SPECIFICATIONS ARE SUBJECT TO CHANGE WITHOUT NOTICE AT ANY TIME.  
3. DIMENSIONS ARE IN INCHES [mm].

REV. A

FSCM NO. 53919

CAD FILE 010509

SCALE N/A

SIZE A

127

**PASTERNAK ENTERPRISES, INC.**  
P.O. BOX 16759, IRVINE, CA 92623  
PHONE (949) 261-1920 FAX (949) 261-7451  
WEB ADDRESS: [www.pasternack.com](http://www.pasternack.com)  
E-MAIL ADDRESS: [sales@pasternack.com](mailto:sales@pasternack.com)  
**COAXIAL & FIBER OPTICS**

