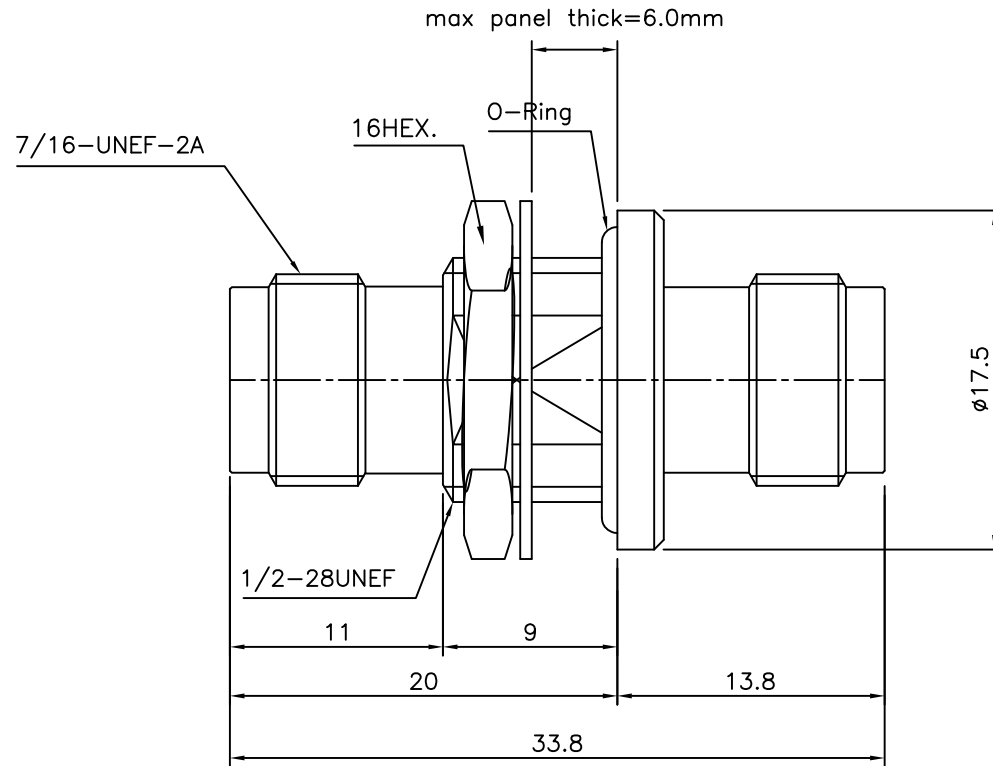
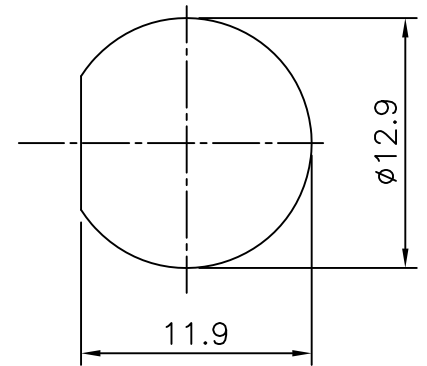


4	5	6
No.	Revision	Date
△		
△		

D
C
B
A



RoHS Compliant



MOUNTING HOLES

TNC-Bulkhead JACK to JACK
ADAPTOR-with Seal

Item	Materials	Plating
Body	Brass	Nickel Plated
Center contact	Be-Cu	Gold Plated
Insulator	PTFE	-
Nut,Washer	Brass	Nickel Plated
O-Ring	Silicone rubber	-

CUSTOMER

NO.	DESCRIPTION	Q'TY	MATERIAL	FINISH	REMARKS.
PARTS No.	1T-804-02		NAME	TNC-B/H-JJ Adap.	APPROVED
MATERIAL	FINISH	TOLERANCES OTHERWISE SPEC. ±0.05		ANGLES ±1°	CHECKED
SCALE		UNIT	mm		DESIGNED S.J.LEE
DWG NO.		1T-804-02			DATE. 03/MAR/2008

Cross RF
web: www.crossrf.com