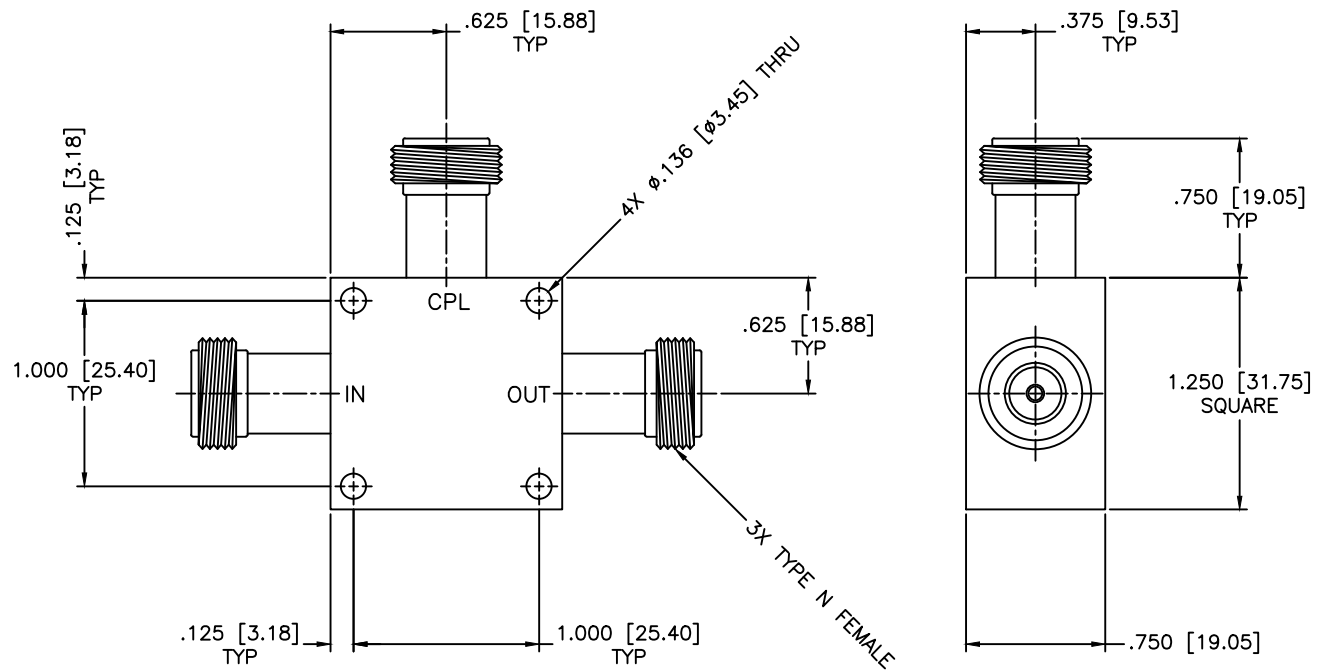


REVISIONS				
ZONE	REV	DESCRIPTION	DATE	APPROVED



SPECIFICATIONS

Frequency Range: 1–2000 MHz
 Coupling: 10±0.5dB
 Mainline Loss (dB): TYP. MAX.
 1–10MHz 1.2 1.9
 10–1000MHz 1.3 1.9
 1000–2000MHz 2.0 2.5
 Directivity (dB): TYP. MAX.
 1–10MHz 38 25
 10–1000MHz 30 18
 1000–2000MHz 22 18
 Coupling Flatness: ±1.0dB
 VSWR Typ: 1.50:1
 Operating Temperature: –55°C to +85°C

MATERIAL:			MICROWAVE COMMUNICATIONS LABORATORIES INC. 7255 30TH AVE. N. SAINT PETERSBURG, FL 33710 TEL: (727) 344-6254 FAX: (727) 381-6116 http://WWW.MCLI.COM		SCALE: N/A
					SHEET: N/A
		UNLESS OTHERWISE SPECIFIED: TOLERANCES IN (INCHES) OR [mm] (MILLIMETERS) FRACTIONS: ± 1/64 DECIMALS: ±.01 ±.005 ANGLE: ±1/2°	DRAWING TITLE: DIRECTIONAL COUPLER		
		PROPRIETARY NOTICE: THE INFORMATION IN THIS DRAWING IS PROPRIETARY AND SHALL NOT BE USED OR DISCLOSED WITHOUT WRITTEN PERMISSION FROM MICROWAVE COMMUNICATIONS LABORATORIES INC. (MCLI)	PART NO. CL6-10/NF		
DRAWN: Paiboon Luekhamhan	DATE: 12-28-2007	THIRD ANGLE PROJECTION 	CAGE CODE: OD2L5	SIZE: A	REV: N/A
APPROVED: T. Nguyen	DATE: 12-28-2007		DO NOT SCALE THE DRAWING		DWG NO. 83027