

# Four-Way Power Dividers

- 0.5 - 18.0 GHz
- Miniature Size
- Flat Response
- High Isolation
- RF Shielded
- Robust Construction



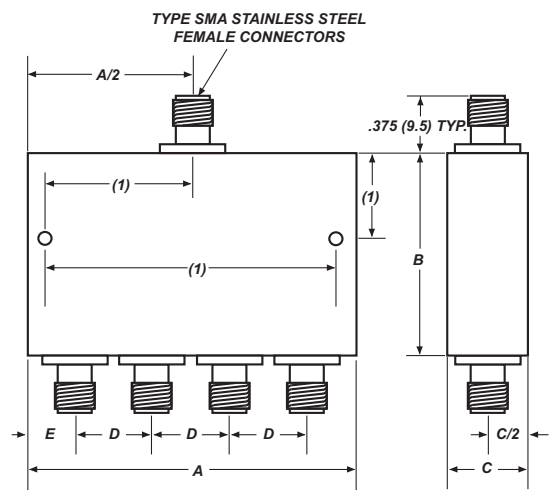
General Specifications	
Design	Wilkinson, Stripline
Circuit	PTFE Based
Housing	Aluminium
Connectors	SMA Female to MIL-C-39012
Temperature	-55 +105C
Finish	Paint

Model No	Frequency (GHz)	Isolation (dB) min.	VSWR (max.)		Insertion Loss (dB) max.	Amplitude Bal. (dB) max.	Phase Bal. (deg.) max.	Average Power Load VSWR			Fig.
			Input	Output				1.2	2.0	∞	
A8202-4	0.5 - 1	20	1.30	1.20	0.40	0.40	4.0	30	20	3	7
A8475-4	0.5 - 2	20	1.30	1.20	0.60	0.30	5.0	30	20	3	7
A8203-4	1 - 2	20	1.60	1.35	0.60	0.30	5.0	30	20	3	5
A8477-4	1 - 4	18	1.40	1.25	0.80	0.40	5.0	30	10	1	5
A8478-4	1.0 - 12.4	15	1.55	1.45	1.50	0.70	7.0	30	10	1	7
A8204-4	2 - 4	18	1.50	1.50	0.60	0.40	5.0	30	10	1	4
A8245-4	2 - 8	18	1.60	1.50	1.00	0.30	4.0	30	10	1	8
A8248-4	2 - 18	15	1.60	1.50	2.00	0.60	6.0	30	10	1	6
A8242-4	3 - 5	20	1.35	1.30	0.50	0.30	4.0	30	10	1	2
A8205-4	4 - 8	20	1.40	1.25	0.50	0.30	4.0	30	10	1	3
A8480-4	6 - 18	15	1.55	1.45	1.00	0.60	6.0	30	10	1	3
A8206-4	7 - 12.4	16	1.50	1.50	1.00	0.60	6.0	30	10	1	1
A8268-4	8 - 18	18	1.50	1.50	1.50	0.60	6.0	30	10	1	3
A8338-4	10.7 - 14.5	20	1.25	1.25	1.50	0.40	5.0	30	10	1	3
A8267-4	12 - 18	18	1.50	1.50	1.50	0.60	6.0	30	10	1	3

Custom frequency ranges, specifications and configurations are also available.

Specification Temperature +25C

FIG	A	B	C	D	E
1	2.75 (69.9)	1.28 (32.5)	0.50 (12.7)	0.69 (17.5)	0.34 (8.6)
2	2.75 (69.9)	1.78 (45.2)	0.50 (12.7)	0.69 (17.5)	0.34 (8.6)
3	2.00 (50.8)	2.00 (50.8)	0.38 (9.6)	0.50 (12.7)	0.25 (6.4)
4	2.65 (67.3)	2.20 (55.9)	0.50 (12.7)	0.65 (16.5)	0.35 (8.9)
5	2.75 (69.9)	2.50 (63.5)	0.38 (9.6)	0.69 (17.5)	0.34 (8.6)
6	2.00 (50.8)	2.85 (72.4)	0.38 (9.6)	0.50 (12.7)	0.25 (6.4)
7	3.60 (91.4)	3.40 (86.4)	0.50 (12.7)	1.00 (25.4)	0.30 (7.6)
8	3.50 (88.9)	2.75 (69.9)	0.50 (12.7)	1.00 (25.4)	0.25 (6.4)



All dimensions are in inches (mm).

We reserve the right to change standard product specifications without notice but will be pleased to consider control drawings for quotation.

## Passive Components