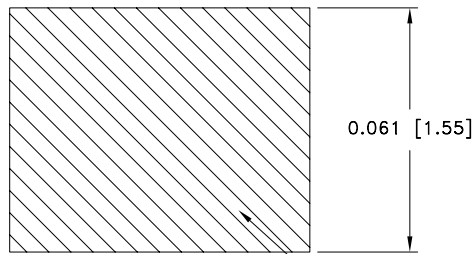
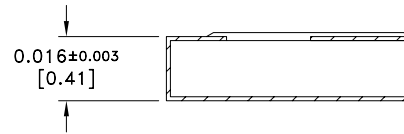
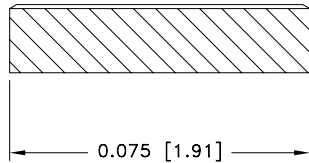
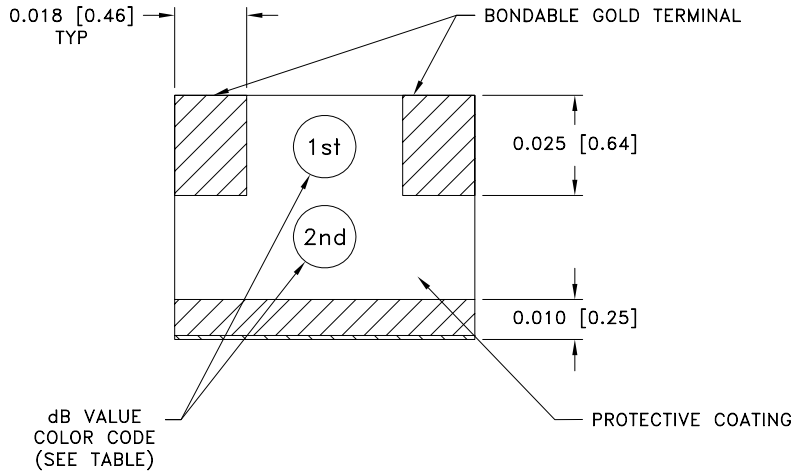




PART ID REF

TS05XXWB1



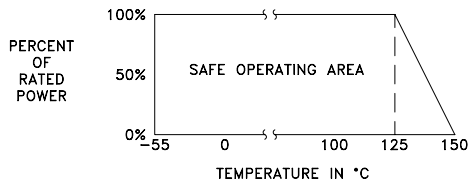
**MECHANICAL SPECIFICATIONS:**

- SUBSTRATE:  
MATERIAL - ALUMINA 96%, MIL-I-10.
- TERMINAL:  
MATERIAL - THICK FILM, BONDABLE GOLD.
- GROUND PLANE:  
MATERIAL - THICK FILM.
- RESISTIVE ELEMENT:  
MATERIAL - THIN FILM, TANTALUM NITRIDE.

FULL GROUND TERMINAL

METRIC EQUIVALENTS GIVEN IN [mm]  
FOR REFERENCE INFORMATION ONLY

**POWER RATING AND DERATING**



**REFERENCE TABLE**

| dB VAL | DOT COLOR |     | dB VAL | DOT COLOR |     |
|--------|-----------|-----|--------|-----------|-----|
|        | 1st       | 2nd |        | 1st       | 2nd |
| 0      | BLK       | --- | 11     | BRN       | BRN |
| 1      | BRN       | --- | 12     | BRN       | RED |
| 2      | RED       | --- | 13     | BRN       | ORG |
| 3      | ORG       | --- | 14     | BRN       | YEL |
| 4      | YEL       | --- | 15     | BRN       | GRN |
| 5      | GRN       | --- | 16     | BRN       | BLU |
| 6      | BLU       | --- | 17     | BRN       | VIO |
| 7      | VIO       | --- | 18     | BRN       | GRY |
| 8      | GRY       | --- | 19     | BRN       | WHT |
| 9      | WHT       | --- | 20     | RED       | BLK |
| 10     | BRN       | BLK |        |           |     |



8851 SW OLD KANSAS AVE  
STUART, FL 34997  
PHONE NO. (772)286-9300  
FAX NO. (772)283-5286

UNLESS OTHERWISE SPECIFIED DIMENSIONS ARE IN INCHES

**TOLERANCES**

|       |        |
|-------|--------|
| FRACT | ---    |
| ANG   | ---    |
| XX    | ---    |
| XXX   | ±0.005 |
| XXXX  | ---    |

THESE DRAWINGS AND SPECIFICATIONS ARE THE PROPERTY OF EMC TECHNOLOGY INC AND SHALL NOT BE DUPLICATED OR USED AS BASIS FOR THE MANUFACTURE OR SALE OF PARTS OR DEVICES WITHOUT PERMISSION.

|                           |                                    |                                 |                        |                                   |
|---------------------------|------------------------------------|---------------------------------|------------------------|-----------------------------------|
| CAGE CODE<br><b>24602</b> | SCALE<br><b>32:1</b>               | DRAWN BY<br><b>CSS 1-10-03</b>  | CHECKED BY             | APPROVED BY<br><b>DAR 1/20/03</b> |
| REV<br><b>J</b>           | CHANGE NOTICE<br><b>EN 10-0911</b> | DRAWING NO<br><b>1004135000</b> | SHEET<br><b>2 OF 2</b> |                                   |