



TECHNICAL DATA SHEET

PE9089

N Female to TNC Male Adapter
Configuration

Connector 1	N Female
Connector Specification 1	MIL-STD-348A
Connector 2	TNC Male
Connector Specification 2	MIL-STD-348A
Adapter Design	Standard
Body Style	Straight

Electrical Specifications

Frequency Range, GHz	DC to 11
Impedance, Ohms	50
Maximum Operating Voltage, Volts	500
Dielectric Withstanding Voltage, Vrms	1,500

Frequency 1

Frequency, GHz	DC to 6
VSWR	1.3:1

Mechanical Specifications
Temperature

Operating Range, deg C	-65 to +165
------------------------	-------------

Size

Length, in [mm]	1.5 [38.1]
Width/Dia., in [mm]	0.669 [16.99]
Dielectric Type	Teflon

Connector 1

Type	N Female
Inner Conductor Material and Plating	Brass, Gold
Inner Conductor Plating Specification	50µ in. minimum
Body Material and Plating	Brass, Nickel
Body Plating Specification	100µ in. minimum

Connector 2

Type	TNC Male
Inner Conductor Material and Plating	Brass, Gold
Inner Conductor Plating Specification	50µ in. minimum
Coupling Nut Material and Plating	Brass, Nickel
Coupling Nut Plating Specification	100µ in. minimum
Body Material and Plating	Brass, Nickel
Body Plating Specification	100µ in. minimum

Click the following link (or enter part number in "SEARCH" on website) to obtain additional part information including price, inventory and certifications: [N Female to TNC Male Adapter PE9089](#)

The information contained in this document is accurate to the best of our knowledge and representative of the part described herein. It may be necessary to make modifications to the part and/or the documentation of the part, in order to implement improvements. Pasternack reserves the right to make such changes as required. Unless otherwise stated, all specifications are nominal.



TECHNICAL DATA SHEET

PE9089

Compliance Certifications (visit www.Pasternack.com for current document)

RoHS Compliant

Yes

Plotted and Other Data

Notes:

Values at 25 °C, sea level

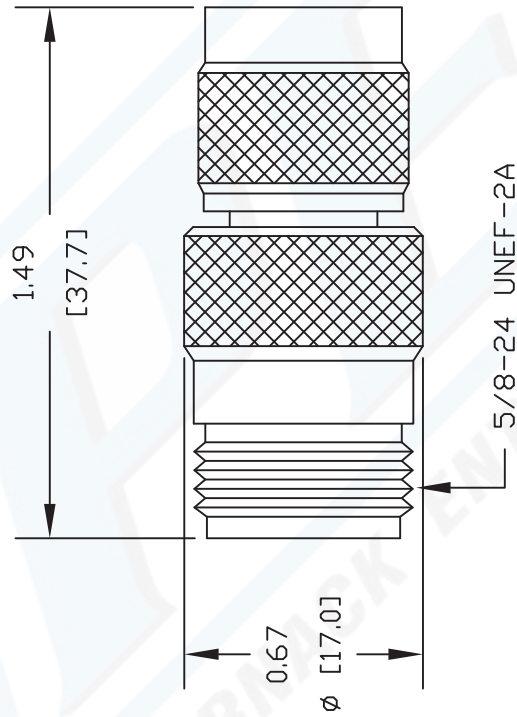
URL: <http://www.pasternack.com/n-female-tnc-male-straight-adapter-pe9089-p.aspx>

N Female to TNC Male Adapter from Pasternack Enterprises has same day shipment for domestic and International orders. Our RF, microwave and fiber optic products maintain a 99% availability and are part of the broadest selection in the industry.

The information contained in this document is accurate to the best of our knowledge and representative of the part described herein. It may be necessary to make modifications to the part and/or the documentation of the part, in order to implement improvements. Pasternack reserves the right to make such changes as required. Unless otherwise stated, all specifications are nominal.



PE9089 CAD Drawing
N Female to TNC Male Adapter



NOTES:
 1. UNLESS OTHERWISE SPECIFIED ALL DIMENSIONS ARE NOMINAL.
 2. ALL SPECIFICATIONS ARE SUBJECT TO CHANGE WITHOUT NOTICE AT ANY TIME.
 3. DIMENSIONS ARE IN INCHES [mm].

DWG TITLE
PE9089

127

SIZE A

SCALE N/A

CAD FILE 082602

FSCM NO. 53919

REV. -

PE PASTERNAK®
 Pasternack Enterprises, Inc.
 P.O. Box 16759 | Irvine | CA | 92623
Phone: (949) 261-1920 | **Fax:** (949) 261-7451
Website: www.pasternack.com | **E-Mail:** sales@pasternack.com