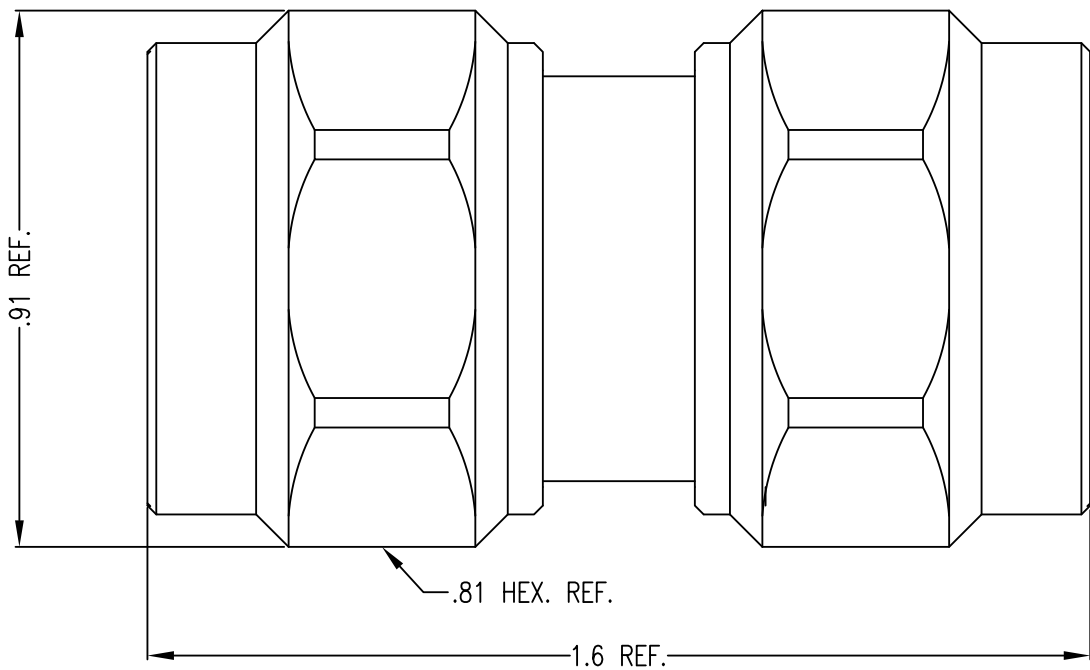


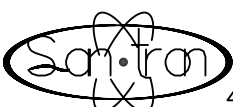
- 1.0 PERFORMANCE
- 1.1 FREQUENCY RANGE: DC-12.4GHz
- 1.2 RL < (-28dB, 2GHz), (-18dB, 12.4GHz) [ⓑ]
- 1.3 NOMINAL IMPEDANCE: 50 OHMS
- 1.4 DWV: 2500 V RMS @ 60 Hz (sea level)
- 1.5 TEMPERATURE RANGE: -65°C TO +165°C
- 1.6 PIM < -150 dBc
- 2.0 MATERIALS
- 2.1 DIELECTRIC: PTFE

- 2.2 CENTER CONTACT: BRASS
- 2.3 GASKET: Si RUBBER
- 2.4 RETAINING RING: PHOSPHER BRONZE
- 2.5 OTHER METAL PARTS: BRASS
- 3.0 FINISHES: SEE TABLE
- 4.0 MECHANICAL
- 4.1 INTERFACE IN ACCORDANCE WITH MIL-STD-348
- 4.2 SLOTTED OUTER CONTACTS
- 4.3 DURABILITY: 500 CYCLES

DWG NO.	OL-0410-32-1	REV.	B
PART NUMBER	BODY	CONTACT	C-NUT
0410-32-SGN	SILVER	GOLD/Cu	NICKEL

PLATE PER STI 7.3.1-8



					PROPRIETARY THIS DRAWING CONTAINS CONFIDENTIAL INFORMATION PROPRIETARY TO SAN*TRON INC. IT MUST NOT BE REPRODUCED OR DISCLOSED TO OTHERS OR USED IN ANY OTHER WAY, IN WHOLE OR PART EXCEPT AS AUTHORIZED IN WRITING BY SAN*TRON INCORPORATED.			 SAN • TRON, INC. 4 NEWBURYPORT TPK, IPSWICH, MA 01938		
B	FREQ RANGE WAS 11 GHz; ADD RL PERFORMANCE NOTE			10/4/11	PRS	FSH	REMOVE ALL BURRS AND SHARP EDGES .005 MAX. UNLESS OTHERWISE STATED ALL DIMENSIONS ARE IN INCHES AND APPLY AFTER PLATING			
A	ORIGINAL			9/17/98	<input checked="" type="checkbox"/>	<input checked="" type="checkbox"/>	TITLE TYPE "N" ADAPTER (M-M)			
Rev.	Revisions			Date	Dwn.	Appd.	MATERIAL: SEE NOTE 2.0		FINISH: SEE NOTE 3.0	
RECOM. STOCK SIZE		FT/M PCS		QTY REQD		UNSPECIFIED TOL.		FSCM NO. 50896	DWG NO.	REV.
						DEC. ± .005		DWN MM 9/17/98	OL-0410-32-1	B
						FRAC. ± 1/64		CHKD SJS 9/17/98		
						ANG. ± 1/2°		APPR JO 9/17/98		
						CONCENTRICITY .004 TIR		SCALE 3:1		
						ALL MACHINED SUFACES				