

Surface Mount Circulators

Part Number: KTSC-300A

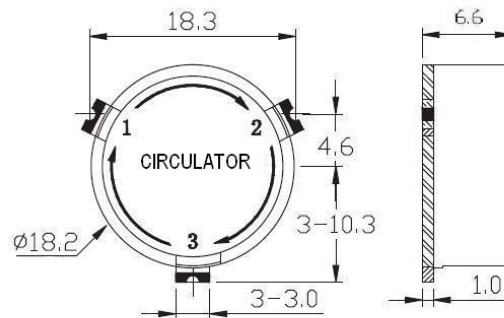
Main Features:

- Frequency Range: 3.0-3.6GHz, 3.6-3.8GHz
- High Power Handling, Low Insertion Loss, Small Size
- PCB Soldering Re-flow
- Wide Operating Temperature: -10°C ~+70°C
- RFID and PCS, DCS, CDMA, UMTS Band Design

Electrical Specifications at Room Temperature:

Part Number	Freq. Range (GHz)	Bandwidth Max. (MHz)	Insertion Loss Max. (dB)	Isolation Min. (dB)	VSWR Max.	Forward Power (W)	Round Size Dia.(mm)
KTSC-300A	3.0 - 3.6	full	0.3	23	1.20	60	Φ18.2
KTSC-300A	3.6 - 3.8	full	0.3	23	1.20	60	Φ18.2

Mechanical Dimensions (mm):



HOW TO ORDER

