

Models 7035, 7035-1, 7035R & 7035R-1 dc to 40.0 GHz Front Locking PLANAR BLINDMATE® Connectors ✔ RoHS



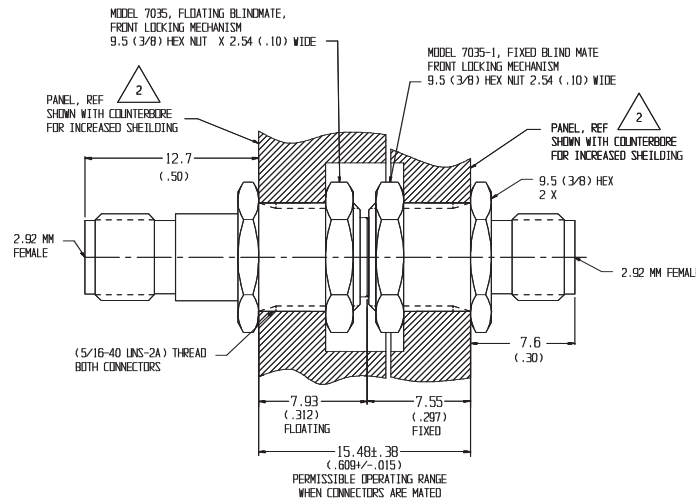
| INSERTION LOSS (dB) & SWR: | | |
|----------------------------|----------------|---------------|
| Frequency (GHz) | Loss (maximum) | SWR (maximum) |
| dc - 18 | 0.50 | 1.35 |
| 18 - 40 | 0.85 | 1.55 |

Specifications

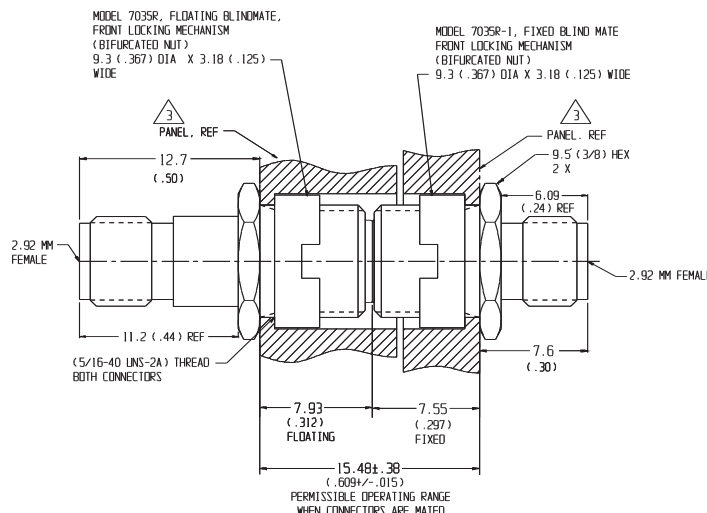
- NOMINAL IMPEDANCE:** 50 Ω
- FREQUENCY RANGE:** dc to 40.0 GHz
- INSERTION LOSS REPEATABILITY:** ±0.1 dB typical
- MECHANICAL LIFE:** 25,000 matings minimum

PHYSICAL DIMENSIONS:

Models 7035 & 7035-1:



Models 7035R & 7035R-1:



- NOTES:
- All dimensions are given in mm (inches) and are nominal, unless otherwise specified.
 - Maximum panel thickness for Model 7035 is 4.9 (0.195).
 - Panel flange thickness of 1.0 (0.03) shown for 7035R. Connector Mating shown with counterbore for increased shielding effectiveness.
 - Unit available with RoHS compliant materials, specify when ordering