

Waveguide E and H Plane Bends

Series 460 / 470

Features

- Low VSWR
- E Plane Models - Series 460
- H Plane Models - Series 470
- Brass or Aluminium
- 90° Standard; 30° 45° & 60° Available



Model 22460

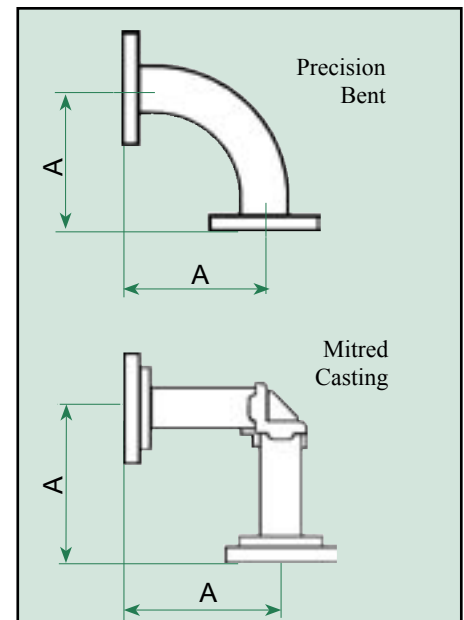


Model 22470

Model	Waveguide			VSWR Typical	Frequency Range (GHz)	Type	Dimension (A)	Weight (kg)
	WG	R	WR					
10460	10	32	284	1.05	2.60 - 3.95	Mitred Casting	100	2.5
10470								
11A460	11A	40	229	1.05	3.30 - 4.90	Mitred Casting	90	1.05
11A470								
12460	12	48	187	1.05	3.94 - 5.99	Mitred Casting	80	1.05
12470								
13460	13	58	159	1.05	3.94 - 5.99	Mitred Casting	75	0.90
13470								
14460	14	70	137	1.05	5.38 - 8.18	Mitred Casting	70	0.66
14470								
15460	15	84	112	1.05	6.58 - 10.0	Mitred Casting	60	0.31
15470								
16460	16	100	90	1.05	8.20 - 12.5	Mitred Casting	50	0.20
16470								
17460	17	120	75	1.05	9.84 - 15.0	Mitred Casting	40	0.18
17470								
18460	18	140	62	1.05	11.9 - 18.0	Mitred Casting	30	0.12
18470								
19469	19	180	51	1.05	14.5 - 22.0	Mitred Casting	30	0.09
19470								
20460	20	220	42	1.05	17.6 - 26.7	Precision Bent	38	0.05
20470								
21460	21	260	34	1.06	21.7 - 33.0	Precision Bent	38	0.045
21470								
22460	22	320	28	1.06	26.4 - 40.1	Precision Bent	38	0.035
22470								
23460	23	400	22	1.06	33.0 - 50.1	Precision Bent	28	0.045
23470								
24460	24	500	19	1.06	39.3 - 59.7	Precision Bent	28	0.045
24470								
25460	25	620	15	1.07	49.9 - 75.8	Precision Bent	21	0.025
25470								
26460	26	740	12	1.08	60.5 - 92.0	Precision Bent	21	0.025
26470								
27460	27	900	10	1.09	73.8 - 112.0	Precision Bent	21	0.025
27470								
28460	28	1200	8	1.10	92.3 - 140	Precision Bent	21	0.020
28470								

Flann Waveguide Bends are available in E and H plane configuration with an angle of 90°. Bends of 30°, 45° and 60° can be supplied to special order.

Bends in the range WG10 to WG19 inclusive utilise a mitred casting with a VSWR typically better than 1.05. Bends from WG20 to WG27 inclusive are sections of waveguide which are precisely bent to the required angle with a VSWR of typically 1.05 to 1.10 depending on the model.



ORDERING INFORMATION

Model: Bend Angle Suffix; Description
 Example: Model 23460-45 45° waveguide Bend.
 WG 23, 45°, E plane bend

Bend Angle (degrees)	Suffix
90	90
60	60
45	45
30	30

Series
460/470

For standard flange types and recommendations see pages 108 onwards