



## 50 Ohm 4 Way 7/16 DIN Equal Tapper Optimized For Mobile Networks From 376 MHz to 2.2 GHz Rated at 700 Watts

### TECHNICAL DATA SHEET

PE-T1013

#### 50 Ohm 4 Way 7/16 DIN Power Divider Optimized For Mobile Networks From 376 MHz to 2.2 GHz Rated at 700 Watts

Pasternack's RF Tapper Power Dividers are designed to be wideband and low loss, with minimal reflections across Mobile Network bands between 380 MHz and 6 GHz. Their Air Dielectric and no Solder Joint designs make them ideal for indoor use, while the rugged construction ensures IP65 or IP67 outdoor performance.

- Optimized at Mobile Network Frequencies between 380 MHz to 6 GHz
- Low Loss and Low PIM, with VSWR as low as 1.15
- IP65 or IP67 Rated
- Available with High Power N or 7/16 DIN style connectors

#### Configuration

Input Connector	7/16 DIN Female
Output Connectors	7/16 DIN Female
Frequency Range, GHz	0.376 to 2.2
Number of Output Ports	4

#### Electrical Specifications

Frequency Range, GHz	0.376 to 2.2
Impedance, Ohms	50
Maximum Insertion Loss, dB	6.2
Maximum Input Power, Watts	700
Maximum Input VSWR	1.3:1
Peak Input Power, KWatts	3

#### Frequency 1

Range, MHz	376 to 500
VSWR	1.3

#### Frequency 2

Range, MHz	698 to 1,000
VSWR	1.2:1

#### Frequency 3

Range, GHz	1.71 to 2.2
VSWR	1.2:1

#### Mechanical Specifications

##### Size

Length, in [mm]	9.7 [246.38]
Width, in [mm]	3.2 [81.28]
Height, in [mm]	2.34 [59.44]
Weight, lbs [Kg]	2.6 [1.18]

Click the following link (or enter part number in "SEARCH" on website) to obtain additional part information including price, inventory and certifications: [50 Ohm 4 Way 7/16 DIN Equal Tapper Optimized For Mobile Networks From 376 MHz to 2.2 GHz Rated at 700 Watts PE-T1013](#)

The information contained in this document is accurate to the best of our knowledge and representative of the part described herein. It may be necessary to make modifications to the part and/or the documentation of the part, in order to implement improvements. Pasternack reserves the right to make such changes as required. Unless otherwise stated, all specifications are nominal.



50 Ohm 4 Way 7/16 DIN Equal Tapper Optimized For Mobile Networks From 376 MHz to 2.2 GHz Rated at 700 Watts

TECHNICAL DATA SHEET

PE-T1013

**Compliance Certifications** (visit [www.Pasternack.com](http://www.Pasternack.com) for current document)

RoHS Compliant

Yes

**Plotted and Other Data**

Notes:

Values at 25 °C, sea level

Insertion Loss = Dissipative Loss + Coupling Loss.

50 Ohm 4 Way 7/16 DIN Equal Tapper Optimized For Mobile Networks From 376 MHz to 2.2 GHz Rated at 700 Watts from Pasternack Enterprises has same day shipment for domestic and International orders. Our RF, microwave and fiber optic products maintain a 99% availability and are part of the broadest selection in the industry.

Click the following link (or enter part number in "SEARCH" on website) to obtain additional part information including price, inventory and certifications: [50 Ohm 4 Way 7/16 DIN Equal Tapper Optimized For Mobile Networks From 376 MHz to 2.2 GHz Rated at 700 Watts PE-T1013](http://www.pasternack.com/4-way-7-16-equal-tapper-376-mhz-2.2-ghz-700watts-pe-t1013-p.aspx)

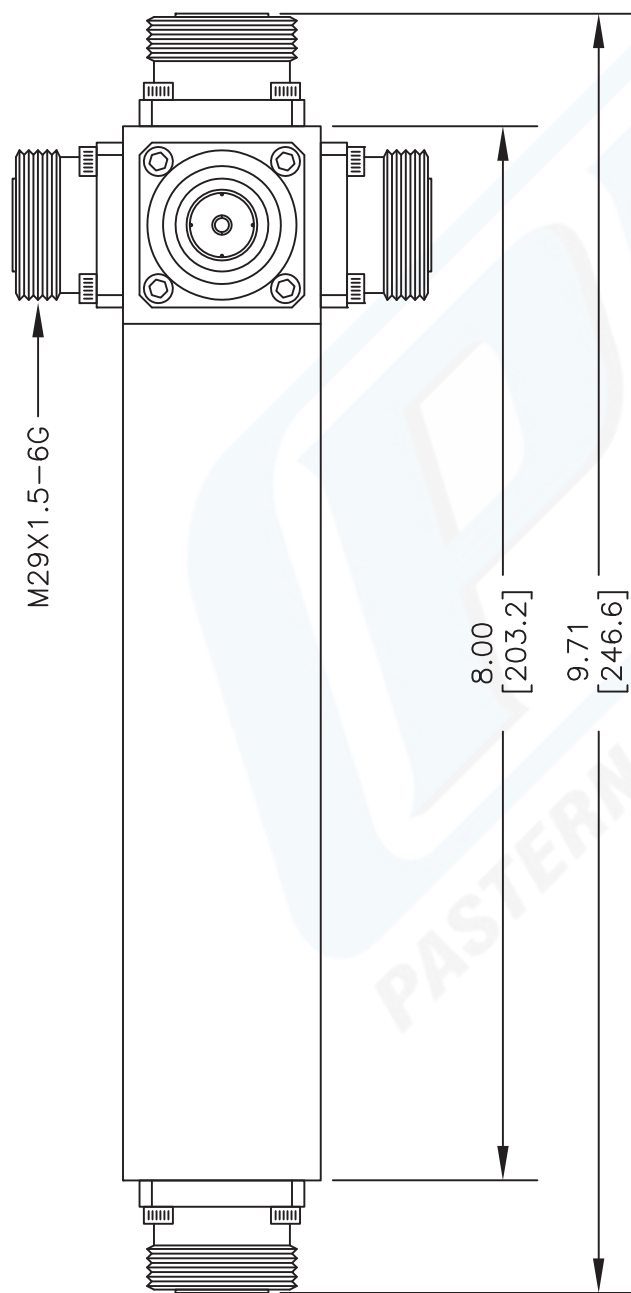
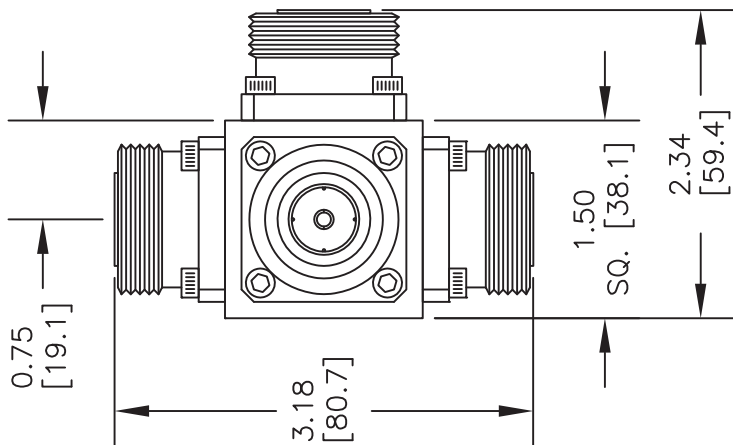
URL: <http://www.pasternack.com/4-way-7-16-equal-tapper-376-mhz-2.2-ghz-700watts-pe-t1013-p.aspx>

The information contained in this document is accurate to the best of our knowledge and representative of the part described herein. It may be necessary to make modifications to the part and/or the documentation of the part, in order to implement improvements. Pasternack reserves the right to make such changes as required. Unless otherwise stated, all specifications are nominal.

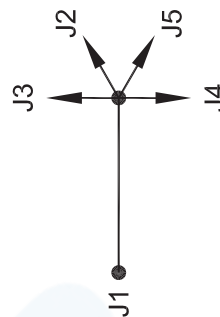
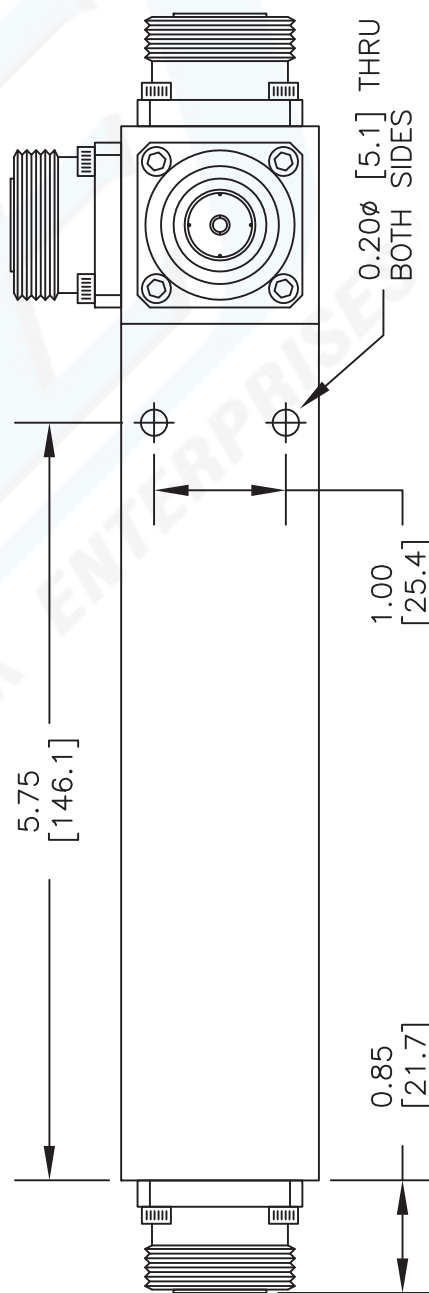


# PE-T1013 CAD Drawing

50 Ohm 4 Way 7/16 DIN Equal Tapper Optimized For Mobile Networks From 376 MHz to 2.2 GHz Rated at 700 Watts



7/16 DIN FEMALE OUTPUT



PORT CONFIGURATION

\* FOR OPTIONAL MOUNTING BRACKET, SEE PE1011.

NOTES:

1. UNLESS OTHERWISE SPECIFIED ALL DIMENSIONS ARE NOMINAL.
2. ALL SPECIFICATIONS ARE SUBJECT TO CHANGE WITHOUT NOTICE AT ANY TIME.
3. DIMENSIONS ARE IN INCHES [mm].

DWG TITLE

**PE-T1013**



Pasternack Enterprises, Inc.  
 P.O. Box 16759 | Irvine | CA | 92623  
 Phone: (949) 261-1920 | Fax: (949) 261-7451  
 Website: www.pasternack.com | E-Mail: sales@pasternack.com

FSCM NO. 53919

CAD FILE 081313

SCALE N/A

SIZE A

2233