



**N&7/16 DIN RF Coaxial connectors suitable for Corrugated  
copper coaxial cables**

*Huada International Electronics & Technology Co., Ltd.*



## 1、 applications

RF Coaxial connector series	Conform to the standards	Features	typical applications
N	MIL-C-39012,IEC169-16,CECC22210	N series connectors With screw-coupling provides a sturdy and reliable connection, is a durable, weatherproof, medium power RF connector	Antennas, Base Stations, Cable assemblies, Avionics , RF module wireless base stations, Micro-wave measuring equipment , Satcom , Radar , Microwave Radio ,etc
7/16 DIN	DIN47223,IEC169-4 ,CECC22190	With screw-coupling mechanism, excellent electrical properties, used for the transmission of high power in transmitting stations and low loss transmission of received signals	Antennas, Mobile phone base stations, Cable assemblies, RF module wireless base stations,etc

## 2、 SPEC

**The following performance values shown are typical and may not relate to all connector styles available.**

**N series connectors suitable for Corrugated copper coaxial cables**

**Conform to the standards:**MIL-C-39012,IEC169-16,CECC22210

<b>Electrical characteristics</b>	
characteristics Impedance	50Ω
frequency range	DC-11 GHz
Dielectric Withstanding Voltage	2500V
Contact Resistance	Center contact: 1.0 mΩ Outer contact :0.2 mΩ
Insulation Resistance	5000 MΩ minimum
Insertion Loss	0.15 dB @ 1 GHz typ.
RF Leakage	-90 dB minimum @2-3 GHz
VSWR(straight connector)	0-1GHz(including 1GHz),VSWR≤1.10 1-3.0GHz,VSWR≤1.15
3rd order Inter-Modulation Distortion	≥155dBc@2×20W
<b>Mechanical characteristics</b>	
Center Contact retention force	≥28N
Coupling torque(max) Recommended	1.70Nm 0.68Nm-1.13 Nm
Durability(connecting operations)	500 cycles minimum
<b>Environmental characteristics</b>	
Temperature Range	- 55°C to +155°C



**N&7/16 DIN connectors(suitable for Corrugated copper coaxial cables)**

Thermal Shock	MIL-STD-202 method 107, test condition B
Shock	MIL-STD-202, method 213, test condition I
Vibration	MIL-STD-202, method 204, test condition B
humidity	MIL-STD-202, method 106
Corrosion	MIL-STD-202, method 101, test condition B
<b>Material and plating</b>	
Bodies(All RF surfaces)	Brass, Trimetal plated
Outer contacts	Brass, Trimetal plated
Center Contact	Male: Brass, silver plated Female: Beryllium copper or phosphorous bronze, silver plated
Insulator	PTFE
Gaskets	Silicone rubber (weatherproof)
Coupling Nuts ,Cable clamp Metal Parts	Brass, nickel plated

**7/16 DIN series connectors suitable for Corrugated copper coaxial cables**

**Conform to the standards:**DIN47223,IEC169-4,CECC22190

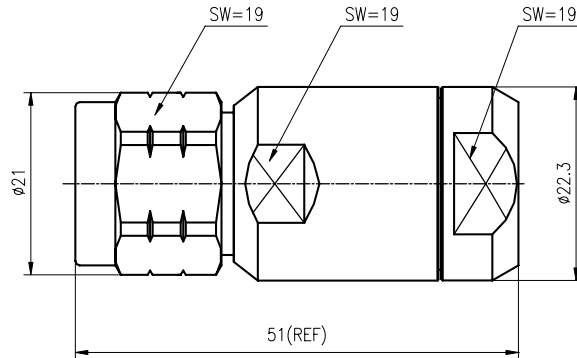
<b>Electrical characteristics</b>	
characteristics Impedance	50Ω
frequency range	DC-7.5 GHz
Dielectric Withstanding Voltage	4000V
Contact Resistance	Center contact:0.4 mΩ Outer contact :1.5 mΩ
Insulation Resistance	10000 MΩ minimum
Insertion Loss	≤0.10×√f(GHz)(dB)
RF Leakage	128dB minimum @1GHz
VSWR(straight connector)	0-1GHz(including 1GHz),VSWR≤1.10 1-3.0GHz,VSWR≤1.15
3rd order Inter-Modulation Distortion	≥155dBc@2×20W
<b>Mechanical characteristics</b>	
Coupling torque(max)	35Nm
Recommended	25Nm-30 Nm
Center Contact retention force	≥200N
Durability(connecting operations)	500 cycles minimum
<b>Environmental characteristics</b>	
Temperature Range	-55°C to +155°C
Thermal Shock	IEC 68-2-14
Immersion	IEC 529, IP67
Corrosion	IEC 68-2-11, Ka
Vibration	IEC 68-2-6 Fc
Mechanical Shock	IEC 68-2-27
<b>Material and plating</b>	
Bodies(All RF surfaces)	Brass, Trimetal plated
Outer contacts	Brass, Trimetal plated
Center Contact	Male: Brass, silver plated Female: Beryllium copper or phosphorous bronze, silver plated
Insulator	PTFE
Gaskets	Silicone rubber (weatherproof)
Coupling Nuts ,Cable clamp Metal Parts	Brass, nickel plated

### 3、 Products



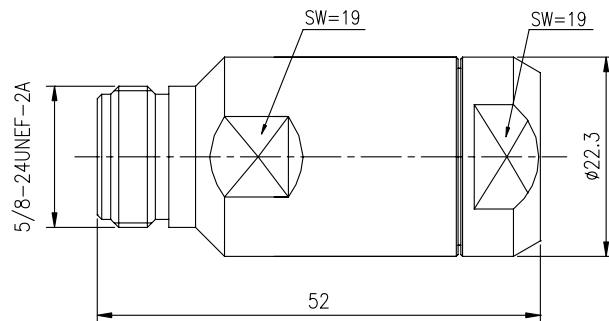
P/N: N-J1/2

Description: N-Straight plug-male-Suitable for 1/2" Superflexible Foam Dielectric Cable



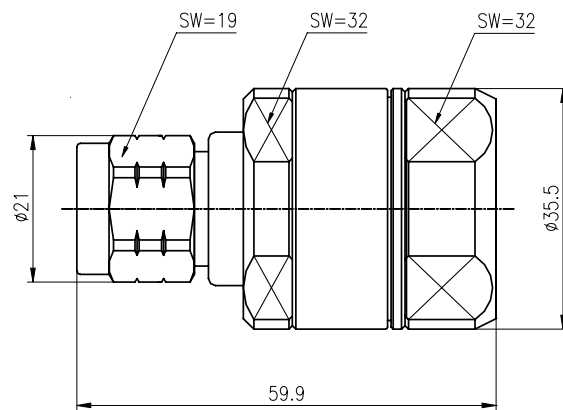
P/N: N-K1/2

Description: N-Straight jack-Female-Suitable for 1/2" Superflexible Foam Dielectric Cable



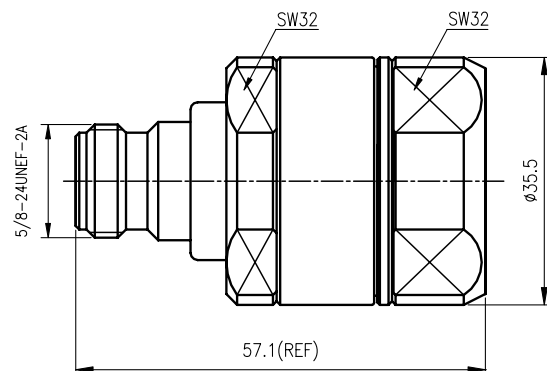
P/N: N-J7/8

Description: N-Straight Plug-male-Suitable for 7/8" Foam Dielectric Cable



P/N: N-K7/8

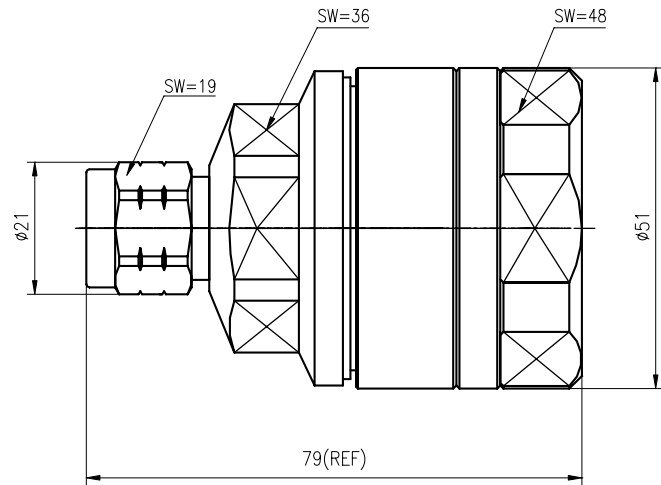
Description: N-Straight jack-Female -Suitable for 7/8" Foam Dielectric Cable





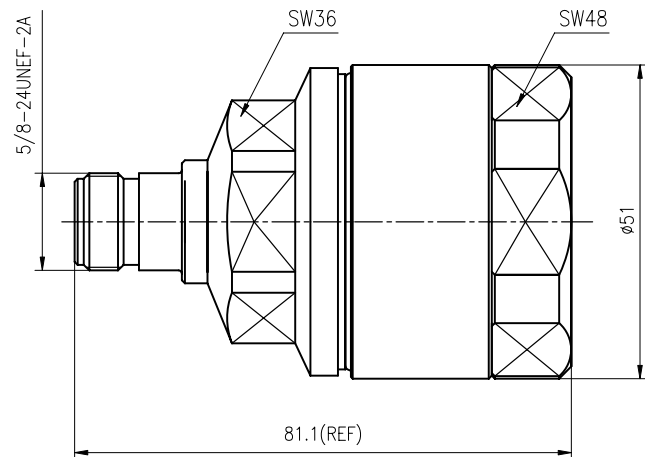
P/N:N-J5/4

Description:N-Straight Plug-male-Suitable for 5/4" Foam Dielectric Cable



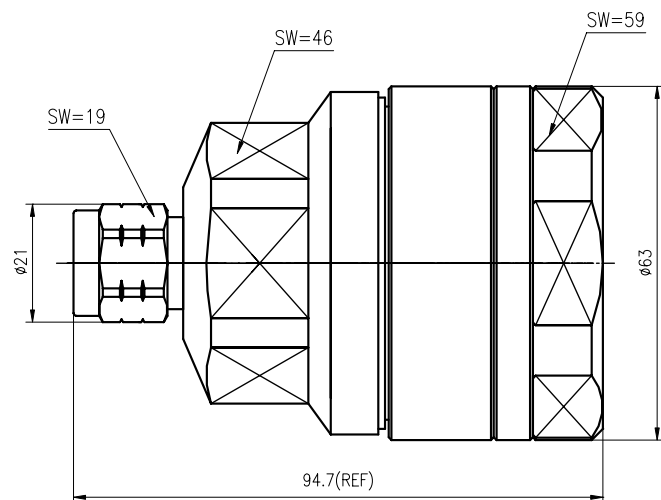
P/N:N-k5/4

Description:N-Straight jack-Female -Suitable for 5/4" Foam Dielectric Cable



P/N:N-J13/8

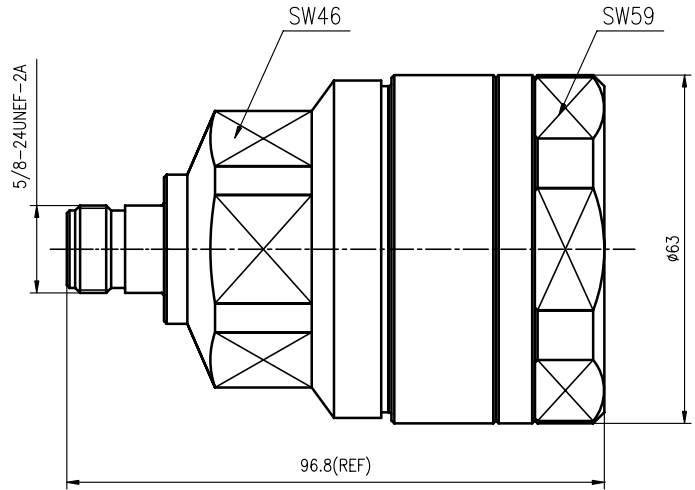
Description:N-Straight plug-male-Suitable for 13/8" Foam Dielectric Cable





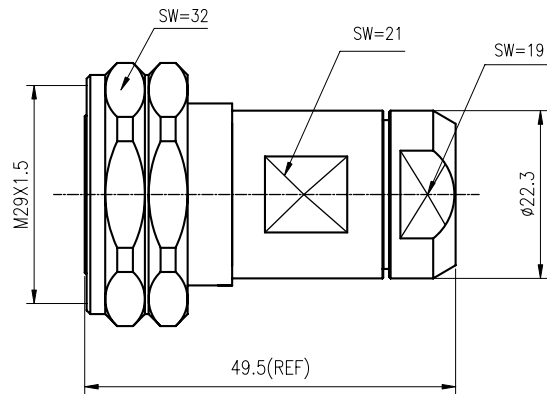
P/N:N-k13/8

Description:N-Straight jack -female-Suitable for 13/8" Foam Dielectric Cable



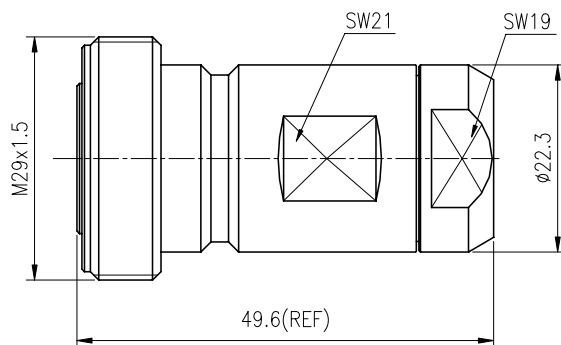
P/N:7/16-J1/2

Description: 7/16 DIN-Straight plug-male-Suitable for 1/2" Superflexible Foam Dielectric Cable



P/N: 7/16-K1/2

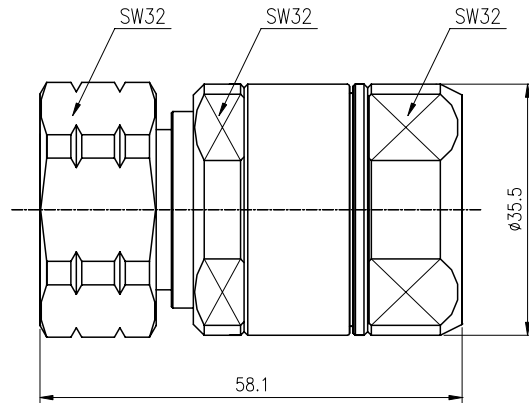
Description: 7/16 DIN-Straight jack-Female-Suitable for 1/2" Superflexible Foam Dielectric Cable





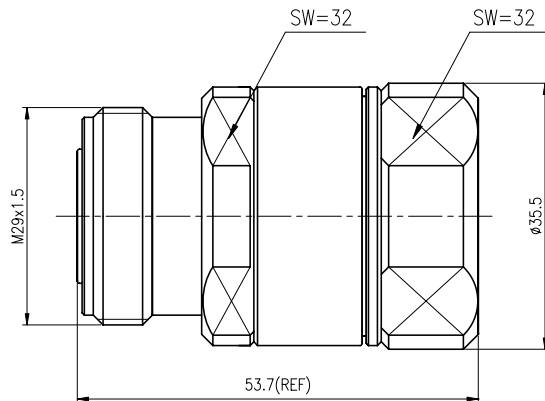
P/N: 7/16-J7/8

Description: 7/16 DIN-Straight Plug-male-Suitable for 7/8" Foam Dielectric Cable



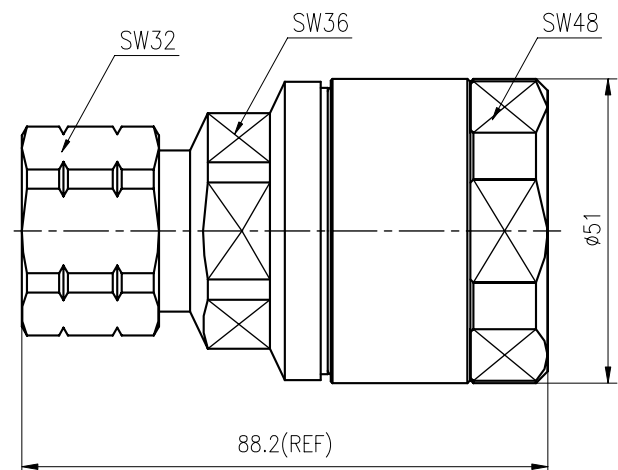
P/N: 7/16-k7/8

Description: 7/16 DIN-Straight jack -female-Suitable for 7/8" Foam Dielectric Cable



P/N: 7/16-J5/4

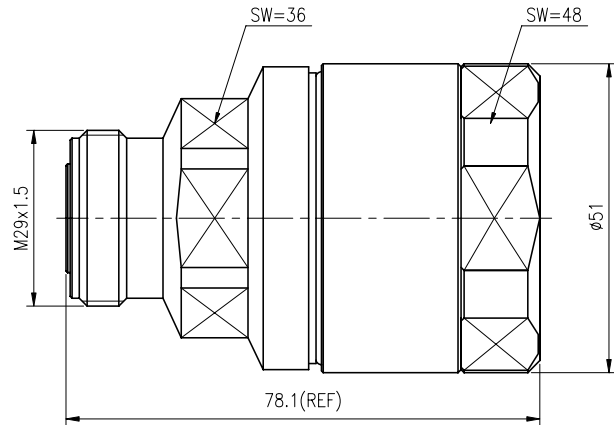
Description: 7/16 DIN-Straight plug-male-Suitable for 5/4" Foam Dielectric Cable





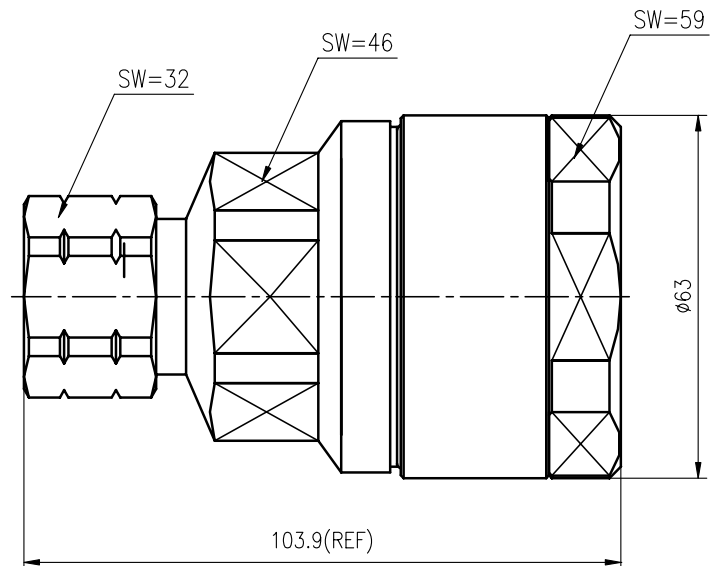
P/N: 7/16-k5/4

Description: 7/16 DIN-Straight jack -female-Suitable for 5/4" Foam Dielectric Cable



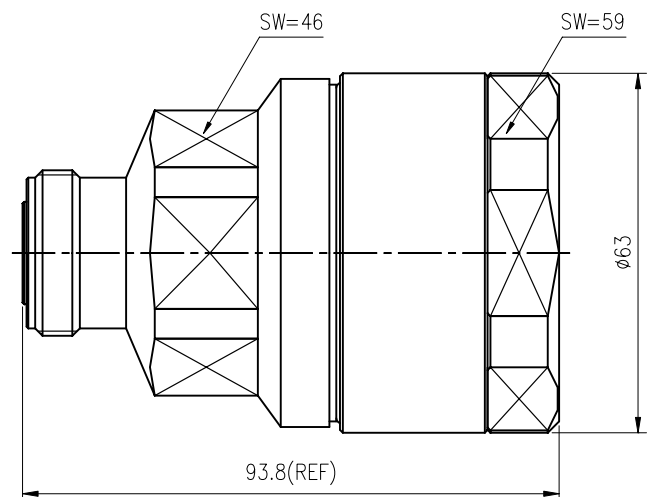
P/N: 7/16-J13/8

Description: 7/16 DIN-Straight plug-male-Suitable for 13/8" Foam Dielectric Cable



P/N: 7/16-k13/8

Description: 7/16 DIN-Straight jack -female-Suitable for 13/8" Foam Dielectric Cable

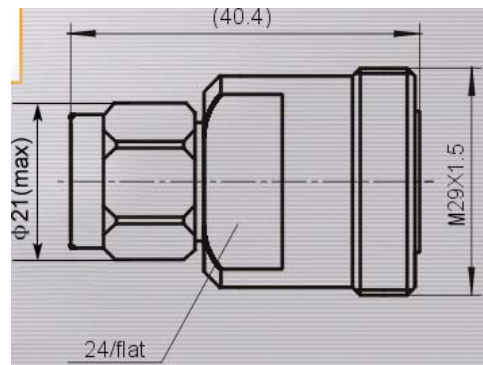






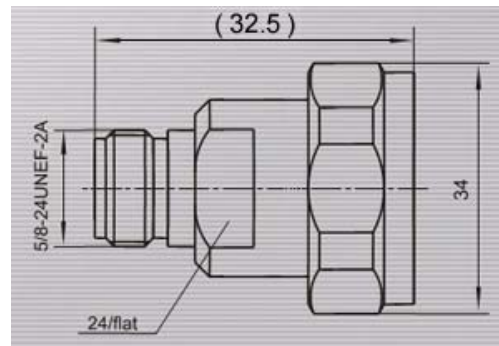
P/N: L29/N-50KJ

Description: Straight adapter-7/16 DIN female to N male



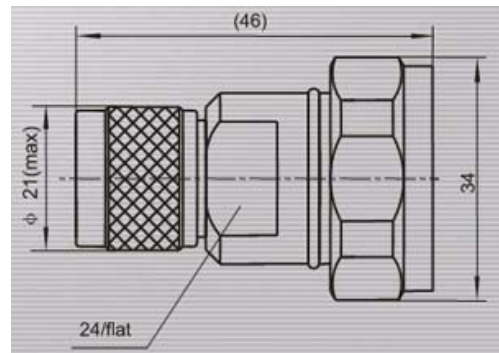
P/N: L29/N-50JK

Description: Straight adapter -7/16 DIN male to N female



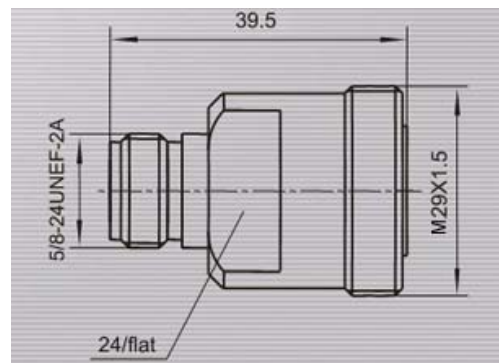
P/N: L29/N-50JJ

Description: Straight adapter -7/16 DIN male to N male



P/N: L29/N-50KK

Description: Straight adapter -7/16 DIN female to N female





P/N: 7/16-J214

Description: 7/16 DIN-Straight plug-male-Suitable for RG214/U Cable

