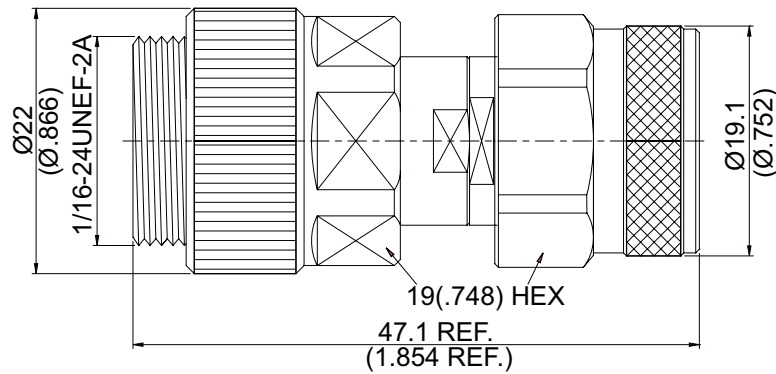


AD-N3PC7-18

N Plug To PC7 Up To 18 GHz 50Ω



NOTE: Typical VSWR up to 18 GHz:≤1.2:1.

Parts	Material	Plating (Micro-inch)
Retainer Ring	Brass	Tin-Zinc-Copper-Alloy 100 Over Copper 50
Gasket	Silicon	
Insulator(N)	PSU	
Coupling Nut	Stainless Steel	Passivated
Ferrule	Brass	Tin-Zinc-Copper-Alloy 100 Over Copper 50
Contact Pin(N)	Brass	Gold 4 Over Nickel-Phosphorus Alloy 80 Over Copper 20
Collet	Beryllium Copper	Gold 4 Over Nickel-Phosphorus Alloy 80 Over Copper 20
Contact Pin(PC7)	Phosphor Bronze	Gold 4 Over Nickel-Phosphorus Alloy 80 Over Copper 20
Holder	Brass	Tin-Zinc-Copper-Alloy 100 Over Copper 50
Insulator(PC7)	P.P.O	
Body	Brass	Tin-Zinc-Copper-Alloy 100 Over Copper 50
Ferrule	Stainless Steel	Passivated
Coupling Nut	Stainless Steel	Passivated

Weight:

This part number complies with RoHS.

Notice: JYEBAO reserves the right to make modifications deemed appropriate.