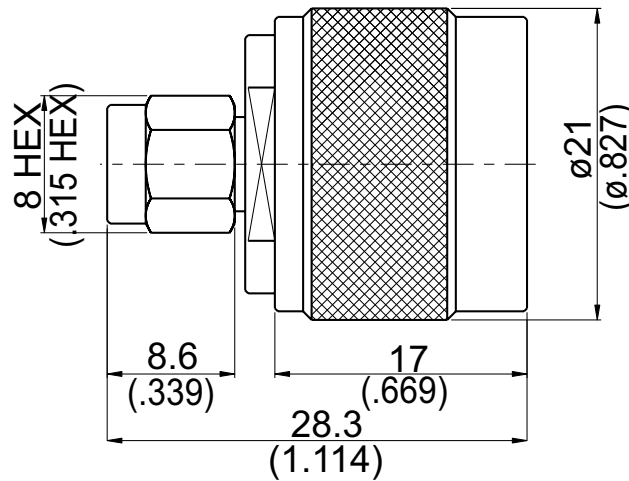


AD-A3N3

SMA Plug To N Plug

50Ω



Typical VSWR

Part Number	1 GHz	2 GHz	3 GHz	4 GHz	5 GHz	6 GHz	7 GHz	8 GHz	9 GHz
AD-A3N3	1.05	1.05	1.05	1.05	1.09	1.17	1.19	1.22	1.22
	10 GHz	11 GHz	12 GHz	13 GHz	14 GHz	15 GHz	16 GHz	17 GHz	/
	1.22	1.22	1.22	1.22	1.22	1.33	1.33	1.33	/

Parts	Material	Plating (Micro-inch)
Renber Ring	Beryllium Copper	Tin-Zinc-Copper-Alloy 100 Over Copper 50
Coupling Nut(SMA)	Brass	Gold 5 Over Nickel 50 Over Copper 50
Renber Ring	Brass	Tin-Zinc-Copper-Alloy 100 Over Copper 50
Gasket	Silicon	
Contact Pin	Brass	Gold 10 Over Nickel 50 Over Copper 50
Insulator	Teflon	
Body(SMA)	Brass	Gold 5 Over Nickel 50 Over Copper 50
Body(N)	Brass	Tin-Zinc-Copper-Alloy 100 Over Copper 50
Coupling Nut(N)	Brass	Tin-Zinc-Copper-Alloy 100 Over Copper 50

Weight: 32.56 g

This part number complies with RoHS.

Notice: JYEBAO reserves the right to make modifications deemed appropriate.