



75 Ohm F Female to RCA Jack Adapter

TECHNICAL DATA SHEET

PE9168

**75 Ohm F Female to RCA Jack Adapter**

**Configuration**

Connector 1	F Female
Impedance 1	75 Ohms
Connector 2	RCA Jack
Impedance 2	75 Ohms
Adapter Design	Standard
Body Style	Straight

**Mechanical Specifications**

**Size**

Length, in [mm]	1.308 [33.22]
Width/Dia., in [mm]	0.43 [10.92]

**Connector 1**

Type	F Female
Inner Conductor Material and Plating	Brass, Tin
Body Material and Plating	Brass, Nickel
Dielectric Type	Delrin

**Connector 2**

Type	RCA Jack
Inner Conductor Material and Plating	Brass, Nickel
Body Material and Plating	Brass, Nickel
Dielectric Type	Delrin

**Compliance Certifications** (visit [www.Pasternack.com](http://www.Pasternack.com) for current document)

RoHS Compliant	Yes
----------------	-----

**Plotted and Other Data**

Notes: Values at 25 °C, sea level

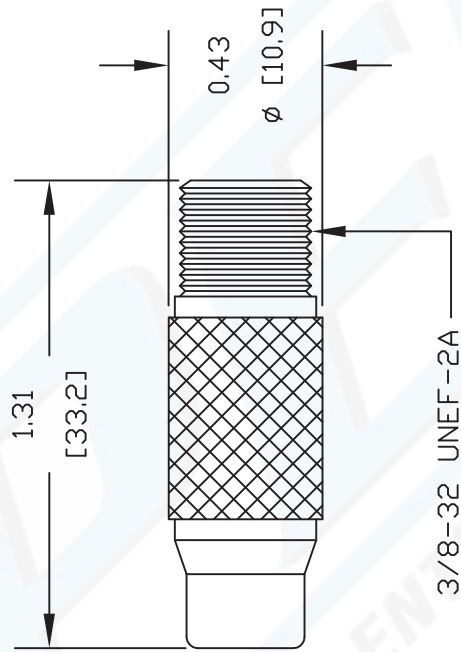
URL: <http://www.pasternack.com/f-female-rca-jack-straight-adapter-pe9168-p.aspx>

75 Ohm F Female to RCA Jack Adapter from Pasternack Enterprises has same day shipment for domestic and International orders. Our RF, microwave and fiber optic products maintain a 99% availability and are part of the broadest selection in the industry.

The information contained in this document is accurate to the best of our knowledge and representative of the part described herein. It may be necessary to make modifications to the part and/or the documentation of the part, in order to implement improvements. Pasternack reserves the right to make such changes as required. Unless otherwise stated, all specifications are nominal.



**PE9168 CAD Drawing**  
75 Ohm F Female to RCA Jack Adapter



**NOTES:**  
 1. UNLESS OTHERWISE SPECIFIED ALL DIMENSIONS ARE NOMINAL.  
 2. ALL SPECIFICATIONS ARE SUBJECT TO CHANGE WITHOUT NOTICE AT ANY TIME.  
 3. DIMENSIONS ARE IN INCHES [mm].

DWG TITLE

**PE9168**

REV. -

FSCM NO. 53919

CAD FILE 092502

SCALE N/A

SIZE A

127



**PASTERNAK®**  
 Pasternack Enterprises, Inc.  
 P.O. Box 16759 | Irvine | CA | 92623

Phone: (949) 261-1920 | Fax: (949) 261-7451

Website: [www.pasternack.com](http://www.pasternack.com) | E-Mail: [sales@pasternack.com](mailto:sales@pasternack.com)